



Unit A43 Kingsley Close, Vat GB591551821 Company Number 02906480  
Lee Mill Industrial Estate Dun and Bradstreet Number (581590544)  
Ivybridge NATO Code Number (NCAGE KD520)  
Devon [www.merlin-industrial.co.uk](http://www.merlin-industrial.co.uk)  
PL21 9LL [www.merlin-industrial.com](http://www.merlin-industrial.com)  
United Kingdom [www.merlinblog.com](http://www.merlinblog.com)  
CALL 01752 690 622 EMAIL [info@merlin-industrial.co.uk](mailto:info@merlin-industrial.co.uk)

# Sigma - Single Skin Steel Partitioning

## Installation Pack

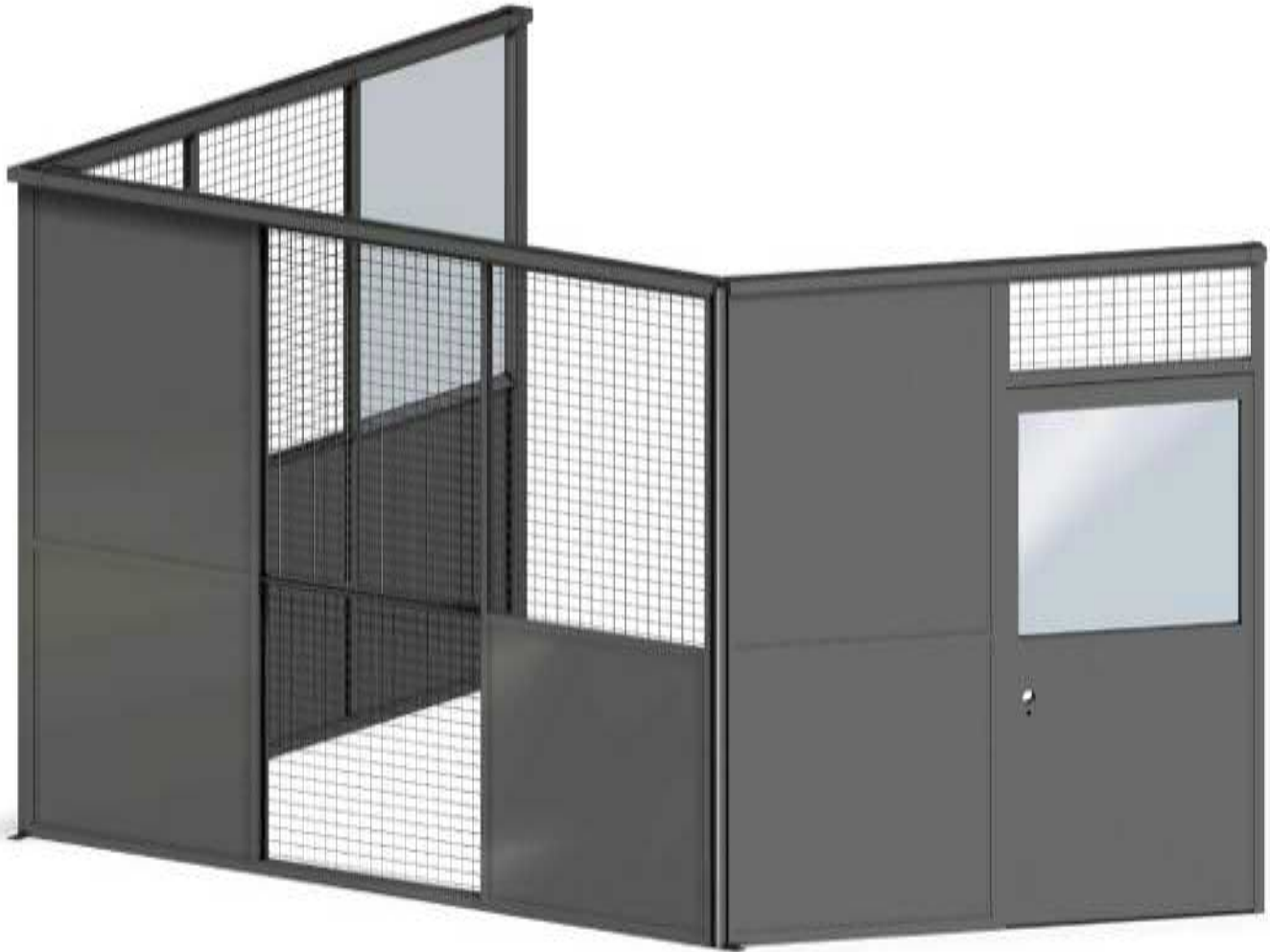


# Contents

Page 1	-	Contents
Page 2-7	-	Sigma Partitioning
Page 8-13	-	Sigma Sliding Door (King 0)
Page 14-19	-	Sigma Sliding Door (King 1)
Page 20	-	SSS Handle
Page 21	-	Maintenance Information

# Sigma Partitioning

## Installation Instructions



Drill with hammer action



Metal Shears



Hacksaw



Tape Measure



Pliers or Mole Grips



Spirit Level



File



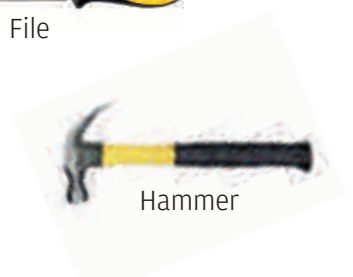
Screwdriver



Adjustable Spanner



Set Square

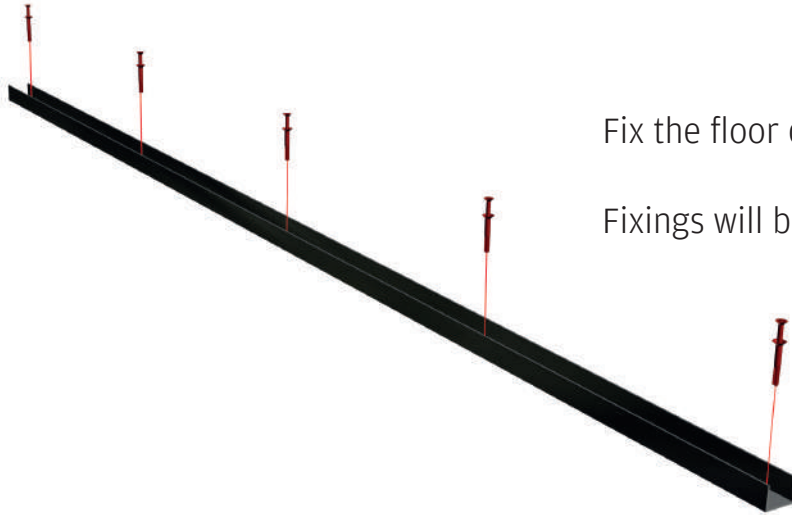


Hammer

# Beginning Installation

Before you begin:

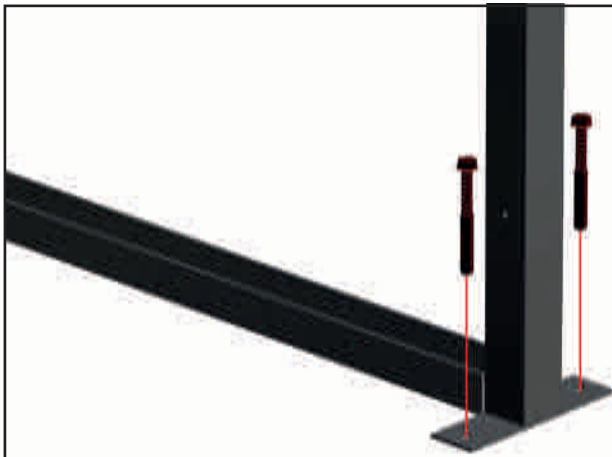
- Identify all of the components for your installation.
- Choose a datum point from which to measure all positions of corners.
- Measure and mark up the lines of the walls with a chalk line, between the feature points.



Fix the floor channel to floor using M6 spit hit fixing.

Fixings will be approx. 600mm apart.

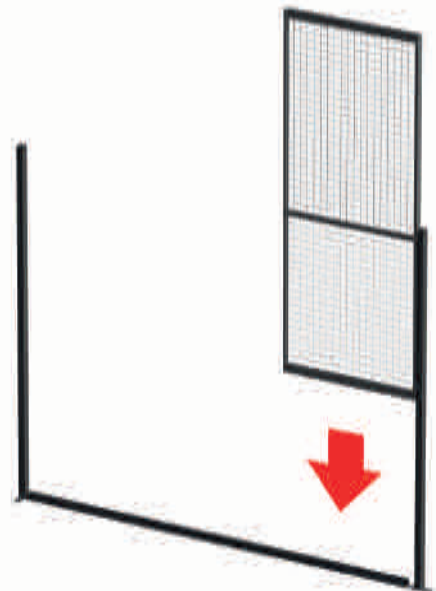
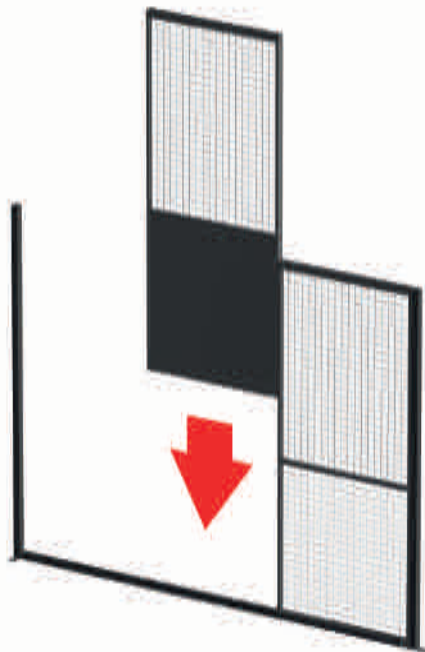
Ensure that the floor the mullion is fixing onto is level using a spirit level.



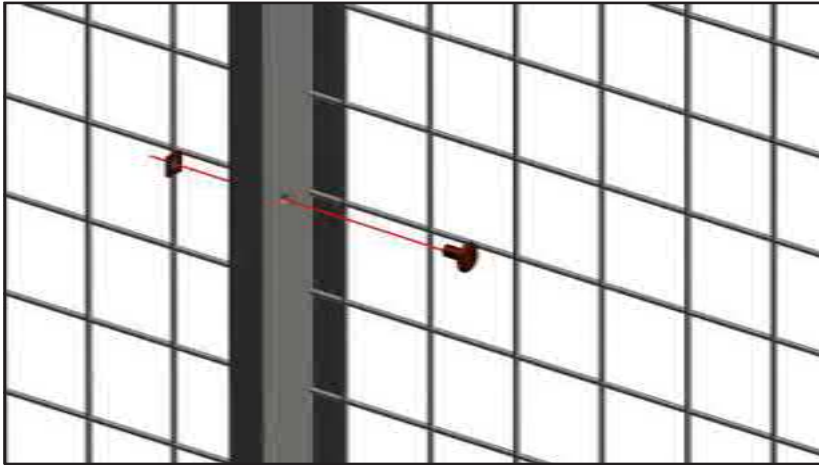
Fix the mullion to the floor using M10 x 100 countersunk expansion Bolts.

**If NOT fixing into concrete check the fixing listed on the delivery notes.**

Fit the appropriate panels into the Floor Channel.



# Fixing Panels

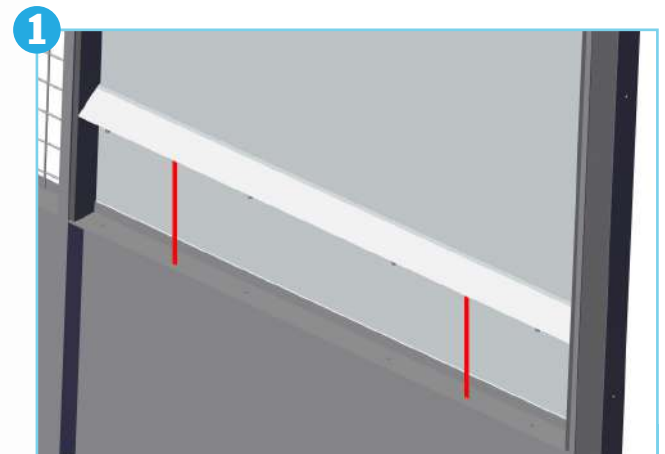
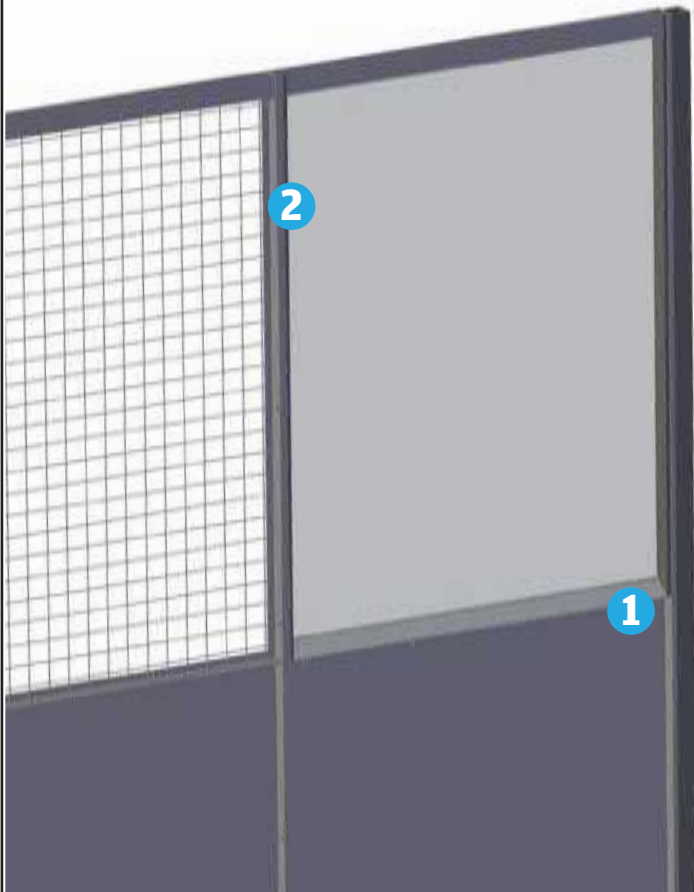


Align the pre-drilled holes in the panels.

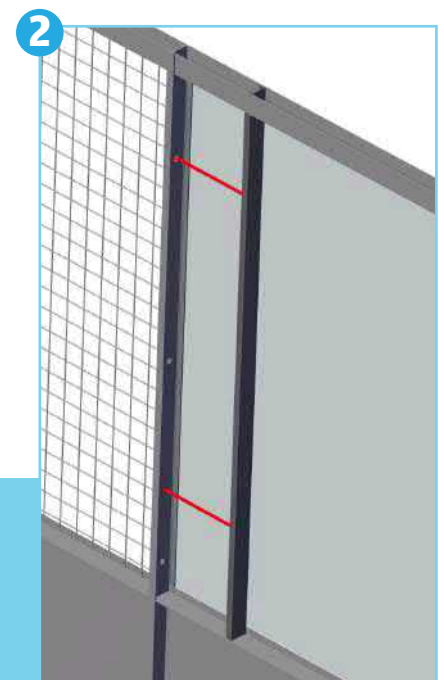
Use an M6 x 12mm bolt and nut to fix in place.

## Fixing Glazed Panels

Glazed panels come pre-assembled and need to be disassembled as shown in order to fix in place.



First unclip the triangular bead at the base of the glazing.



Remove the u-channel either side of the glazing to reveal the fixing points.

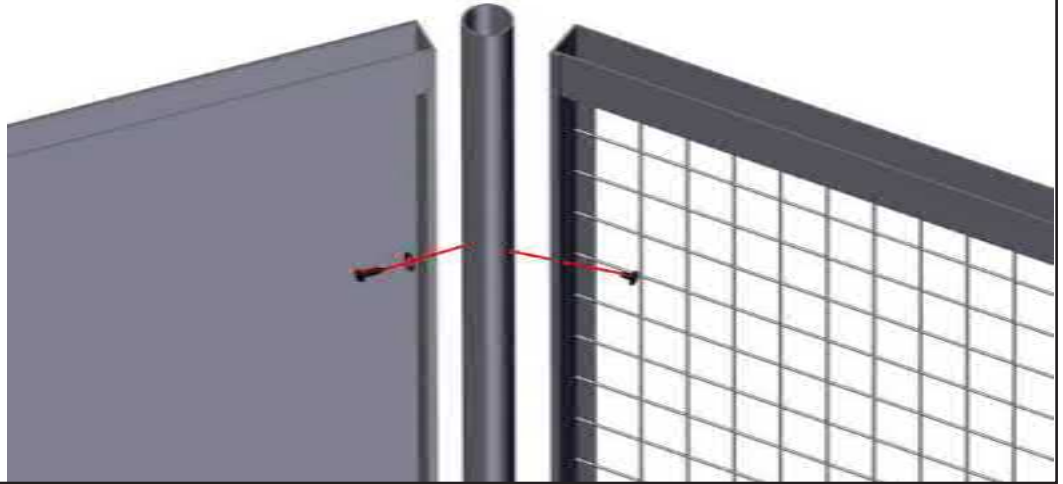
Once fixed in place re-assemble the glazed panel.

# Fixing Panels to Mullions and Fillers

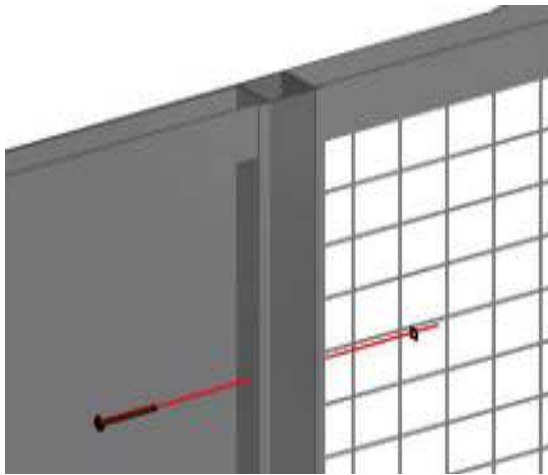
Round mullions are used when creating non-standard angles.

1 set of holes are pre-drilled and tapped, fix panel to the holes using M8 x 16mm Bolts.

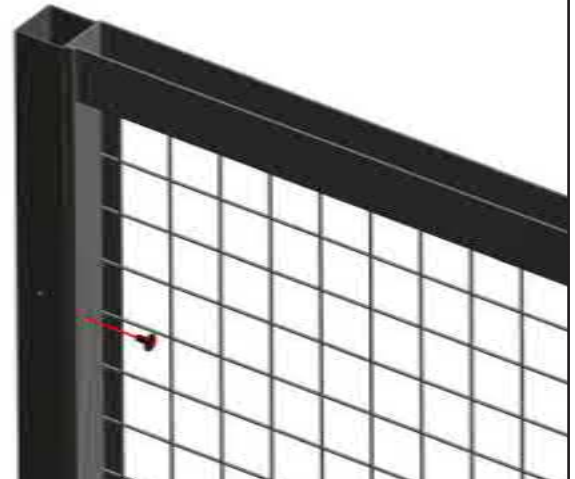
The second Panel is Tek Screwed to the appropriate angle.



To fix two panels either side of a mullion an M6 x 60mm bolt and nut is used.



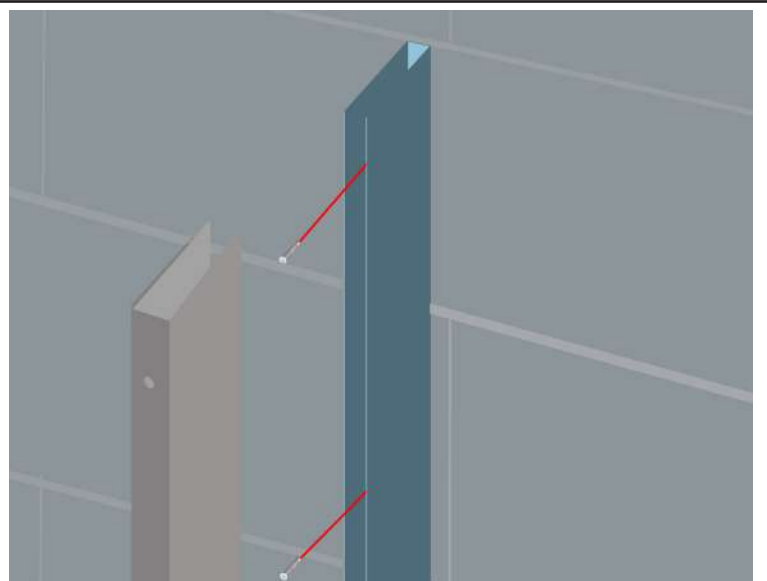
To connect a single panel to a mullion a M6 x 12mm bolt is used.



## Fitting the Filler Panel

Filler panels should be measured and cut to size before spit-hit fixing to the wall.

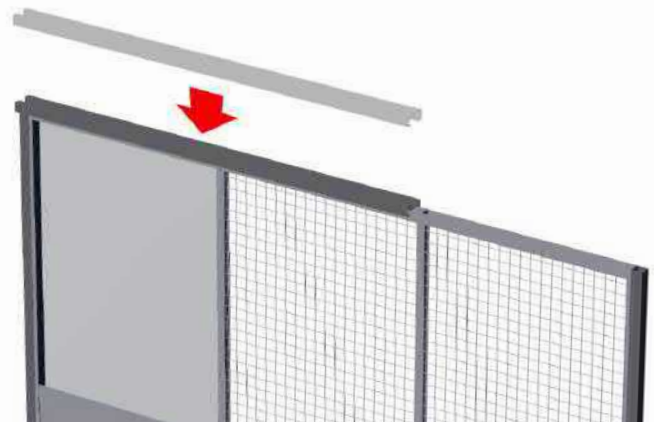
The second half of the filler is bolted to panels using M6 x 12mm bolts.



# Installing Top Caps

The top caps are cut to the lengths in relation to the panels.

As shown the top cap will push fit onto the top of the panels.



## 51 / 75mm Top Capping

Needs to be done prior to install if fixing to ceiling.

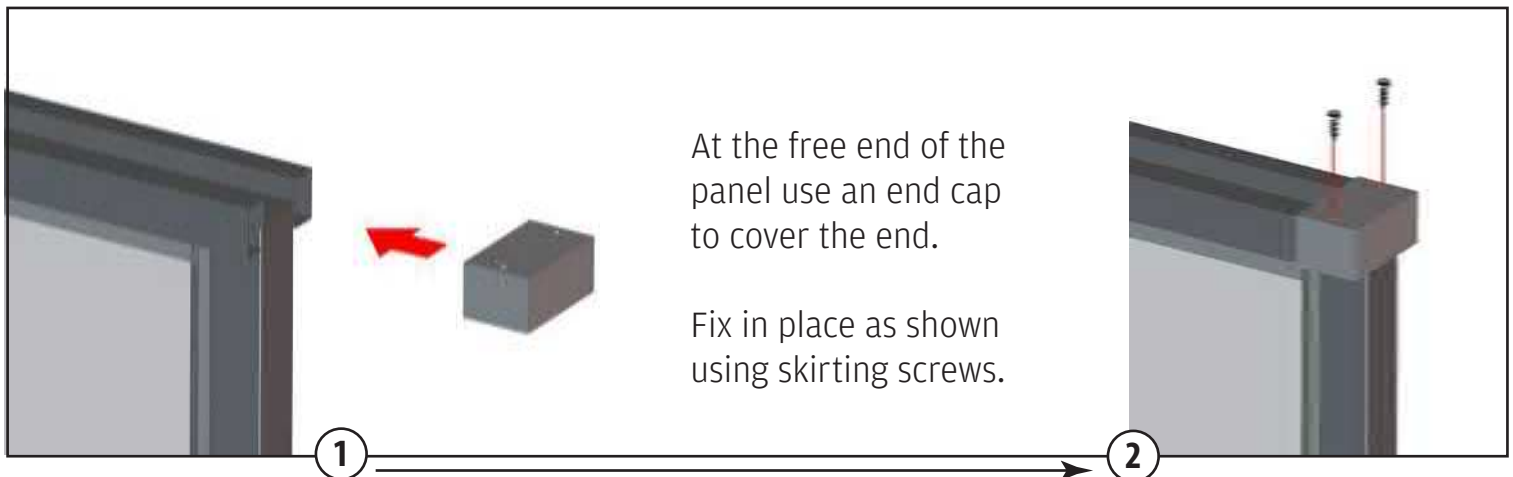
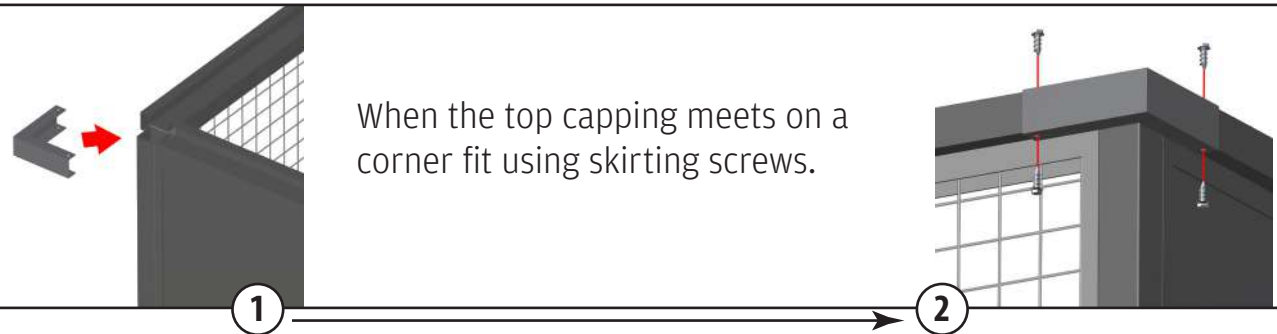
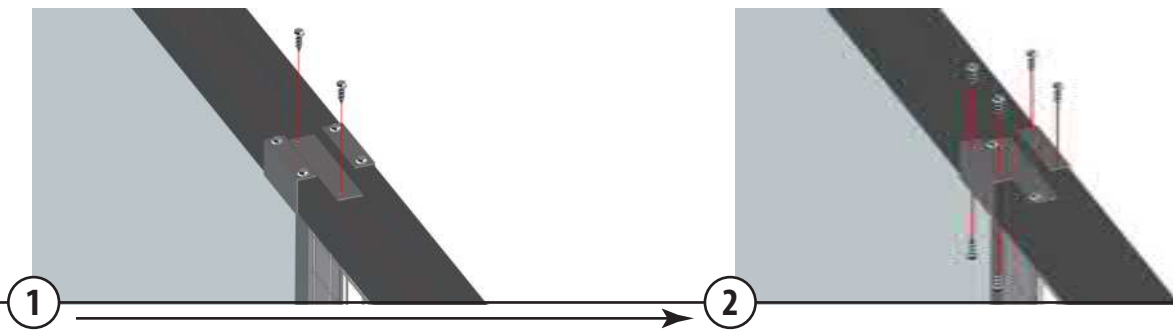
Insert top of panel into capping then panel lowered into floor-track.

If free standing capping is fixed into face of panel.



## Heavy Duty Top Capping

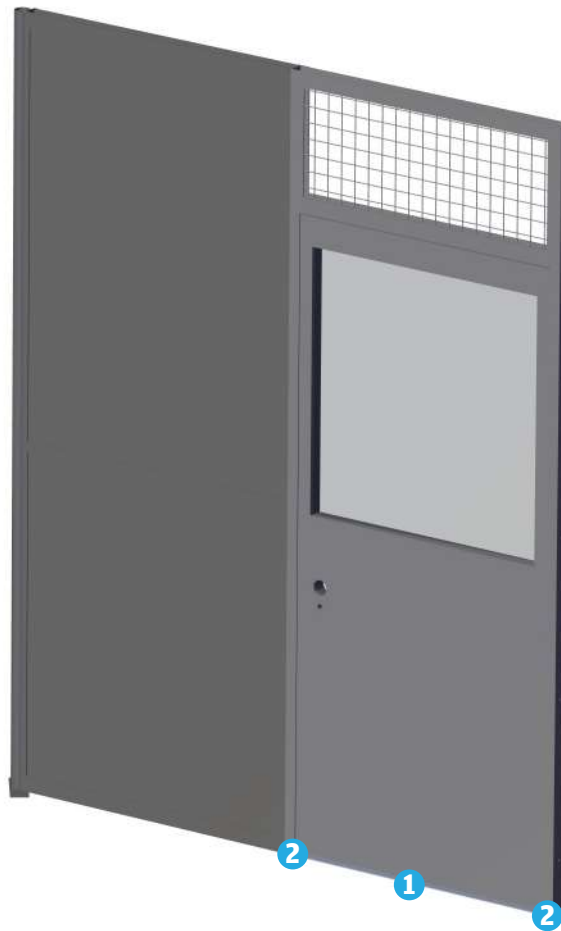
When the top capping meets on the same line fix the parts together as shown using skirting screws.





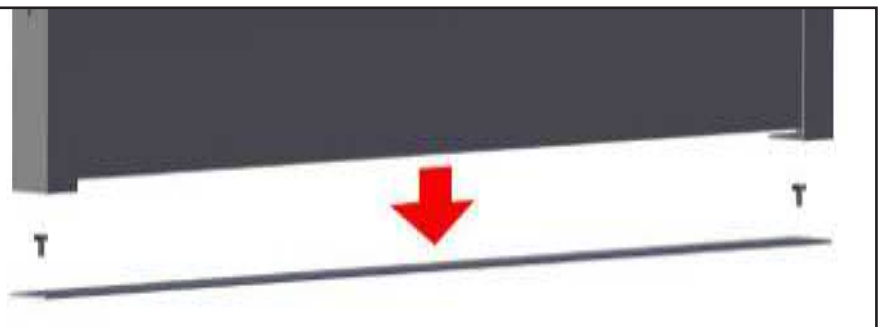
# Installing Doors

Single doors usually come pre-hung into the frame.



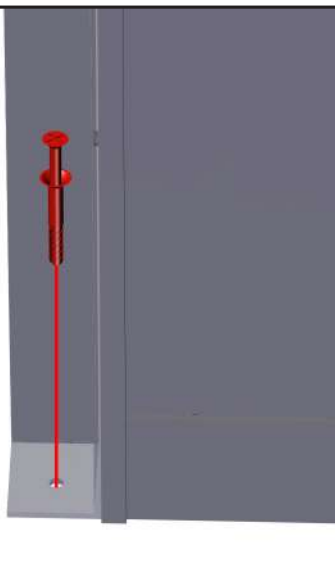
1

Before install ensure that the threshold strip is removed from the base of the Door.



2

Fix the door frame to the floor using spit-hit fixings.



Double doors will need to be fitted together with provided fixings.

Install the completed frame into the run of partitioning.

Install the over panels.

A hole will need to be drilled into the floor to accommodate the shoot bolt.

**\*If door closers are to be fitted, install instructions will be provided.**



# Sliding Door (King O)

## Installation Instructions



Drill with hammer action



Metal Shears



Hacksaw



Tape Measure



Pliers or Mole Grips



Spirit Level



File



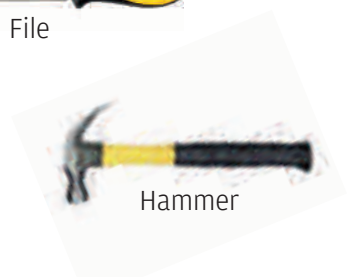
Screwdriver



Adjustable Spanner



Set Square

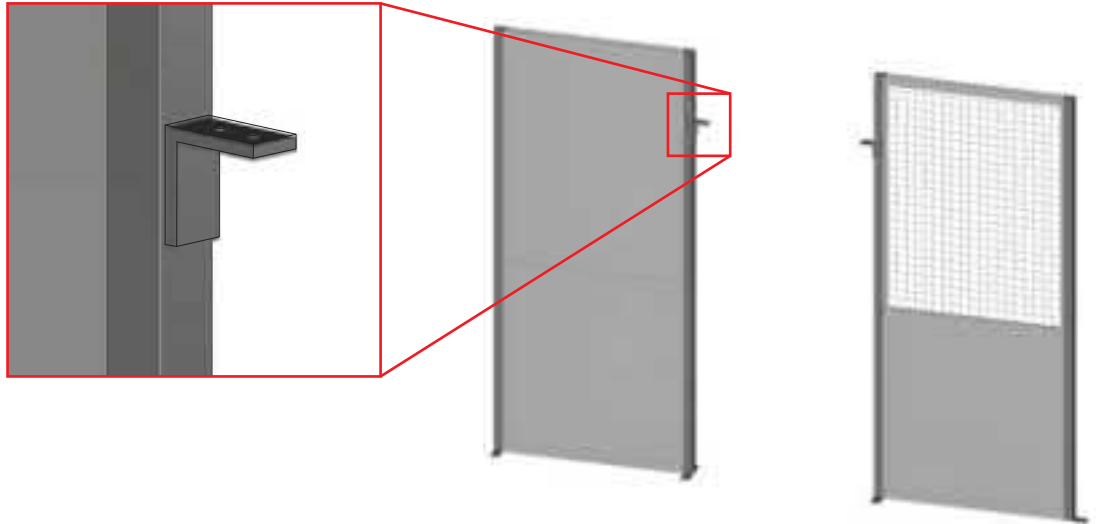


Hammer

# Installing Over Panel

Once the panels are installed a gap will be left for the door.

There will be two lintel cleats welded onto the mullions situated as shown.



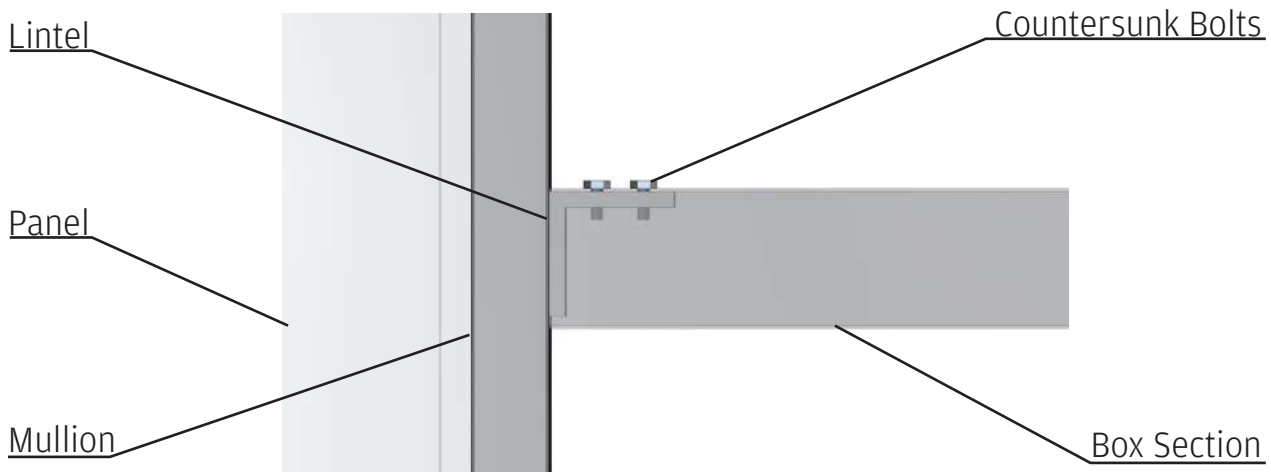
1

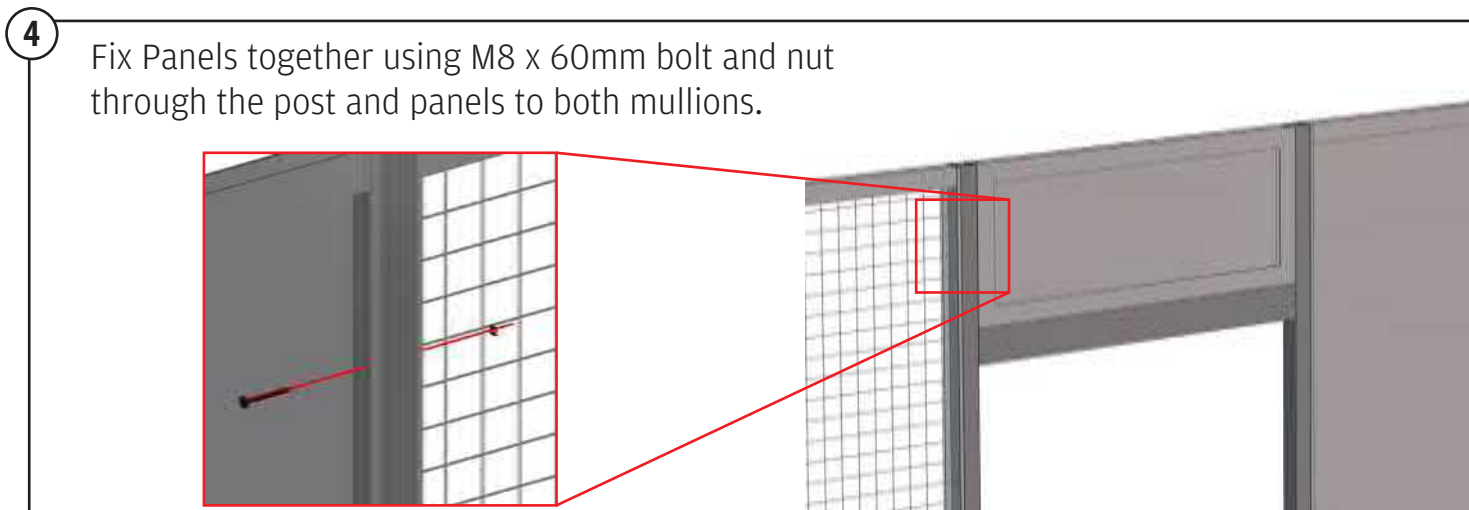
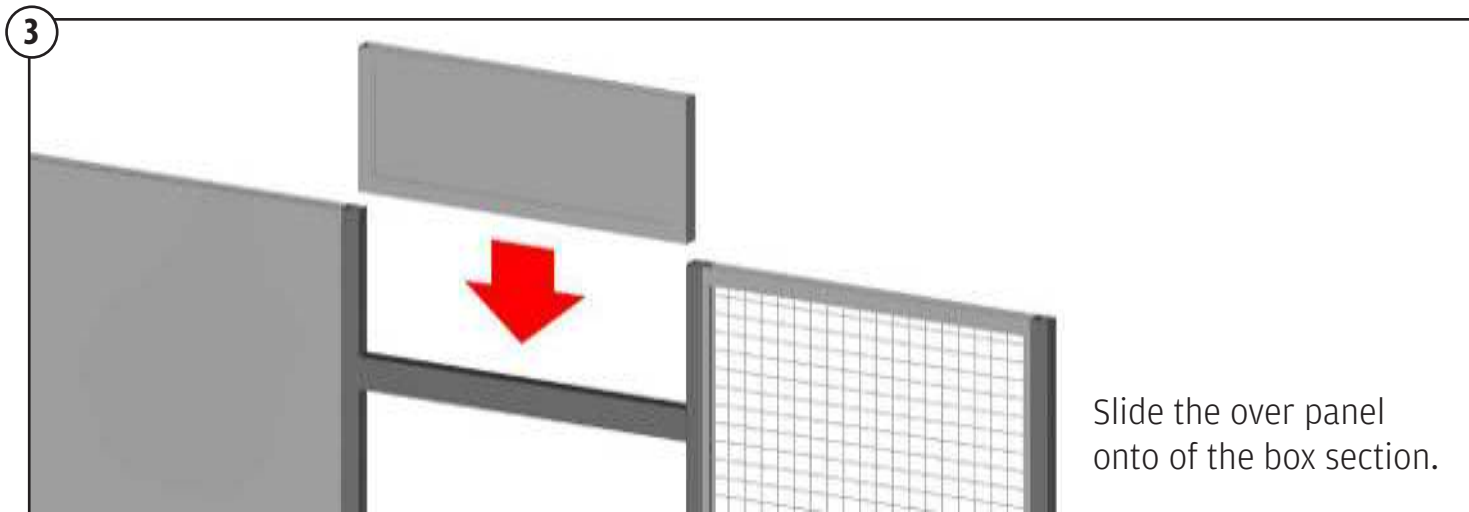
Place the box section around the lintels as shown. Align the pre-cut holes in both section.

2

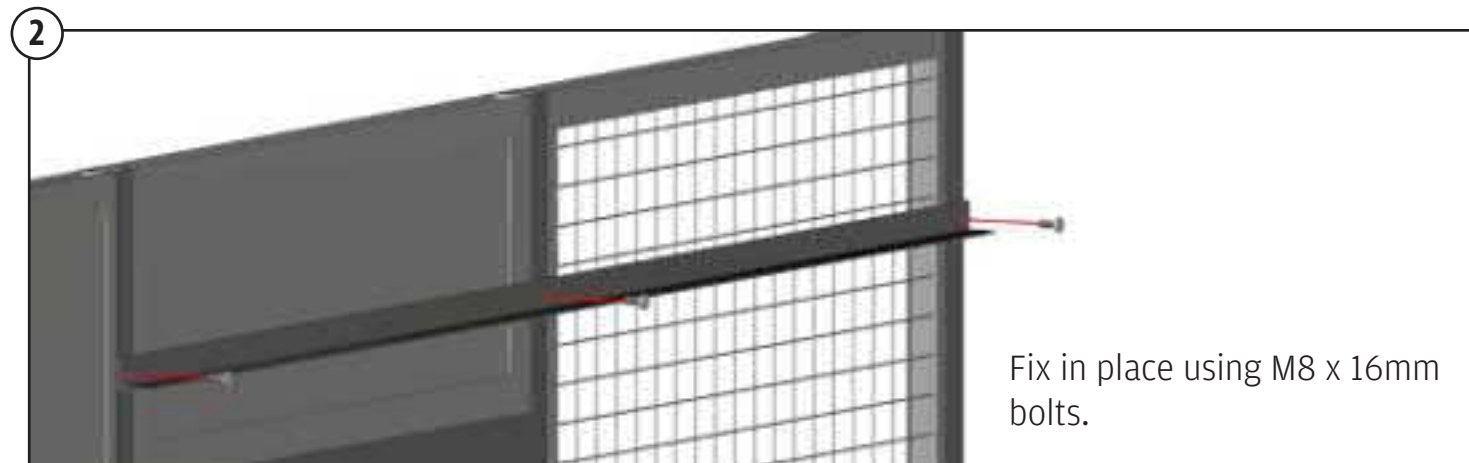
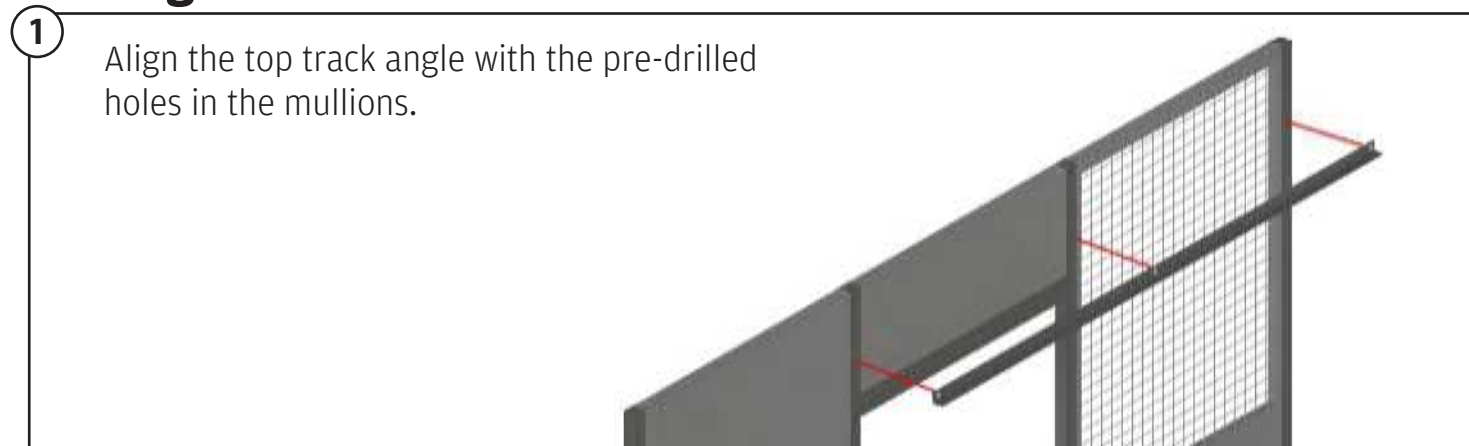
Fix the box section to the lintel as shown using a M8 x 20mm or M10 x 25mm countersunk bolt.

Repeat for both sides, tighten with an allen key



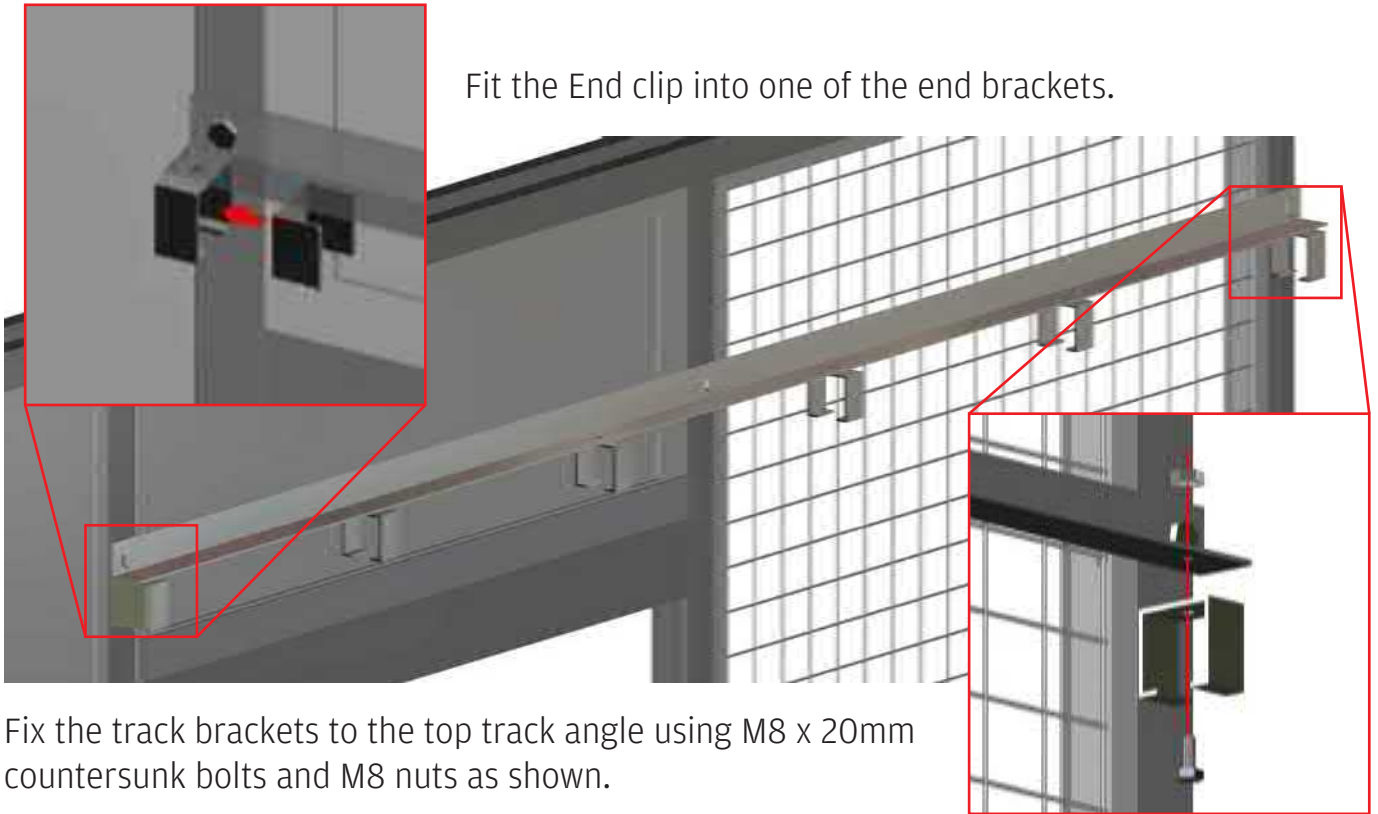


## Fitting the Track



3

Fit the End clip into one of the end brackets.



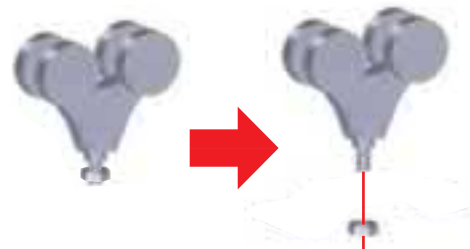
Fix the track brackets to the top track angle using M8 x 20mm countersunk bolts and M8 nuts as shown.

Slide the track in as shown at the open end. Tek screw the track to the open end bracket to fix it in place.

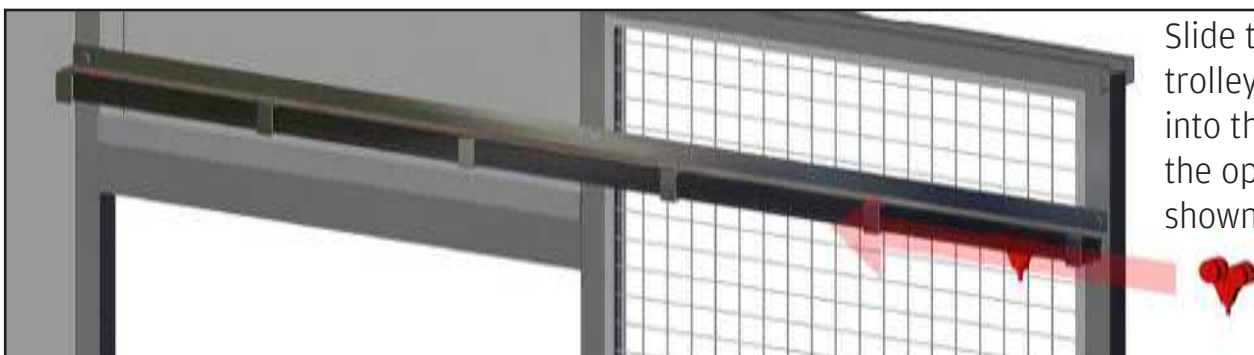


## Trolley Assembly

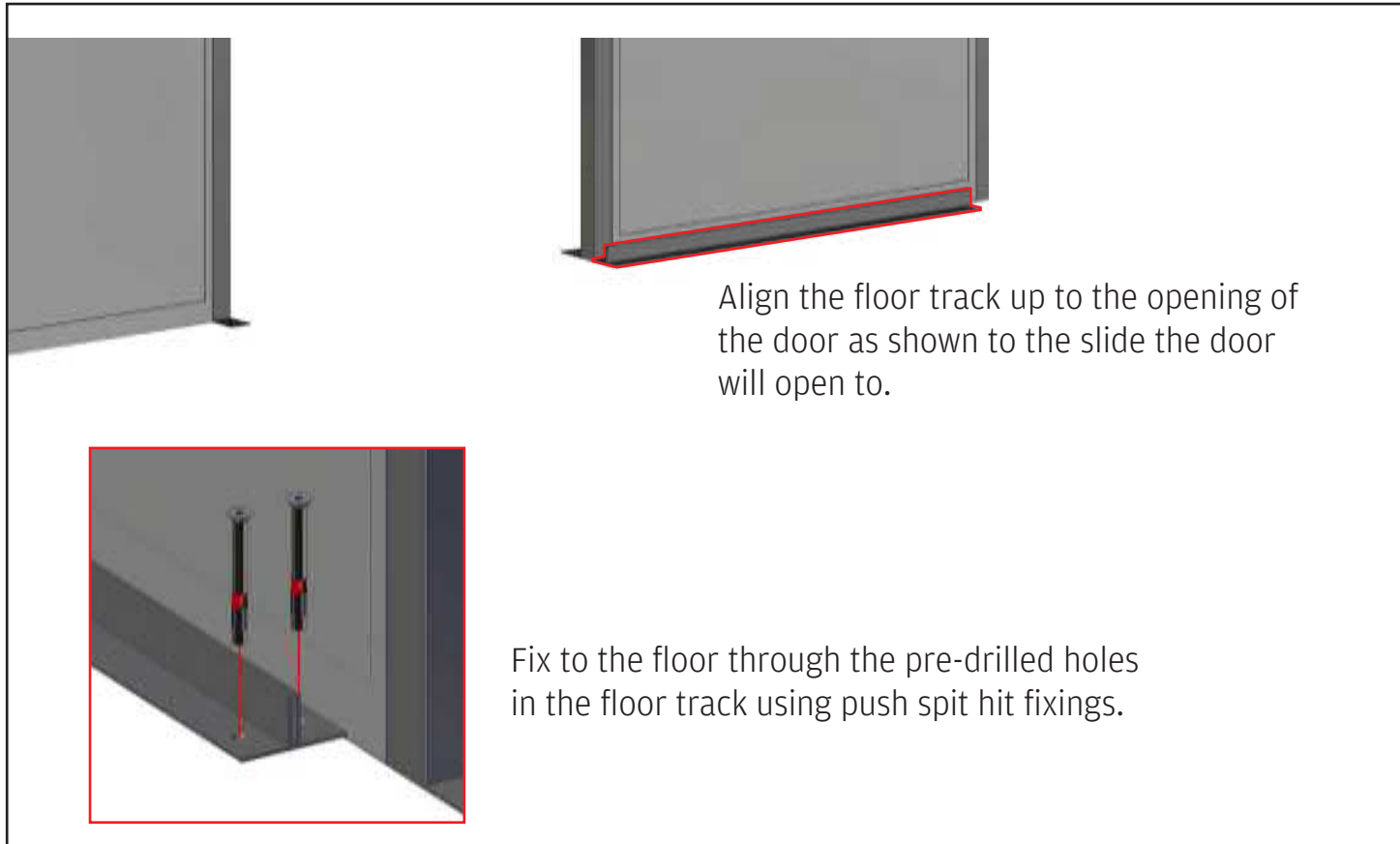
Before using the two trolleys unscrew the bolts from them.



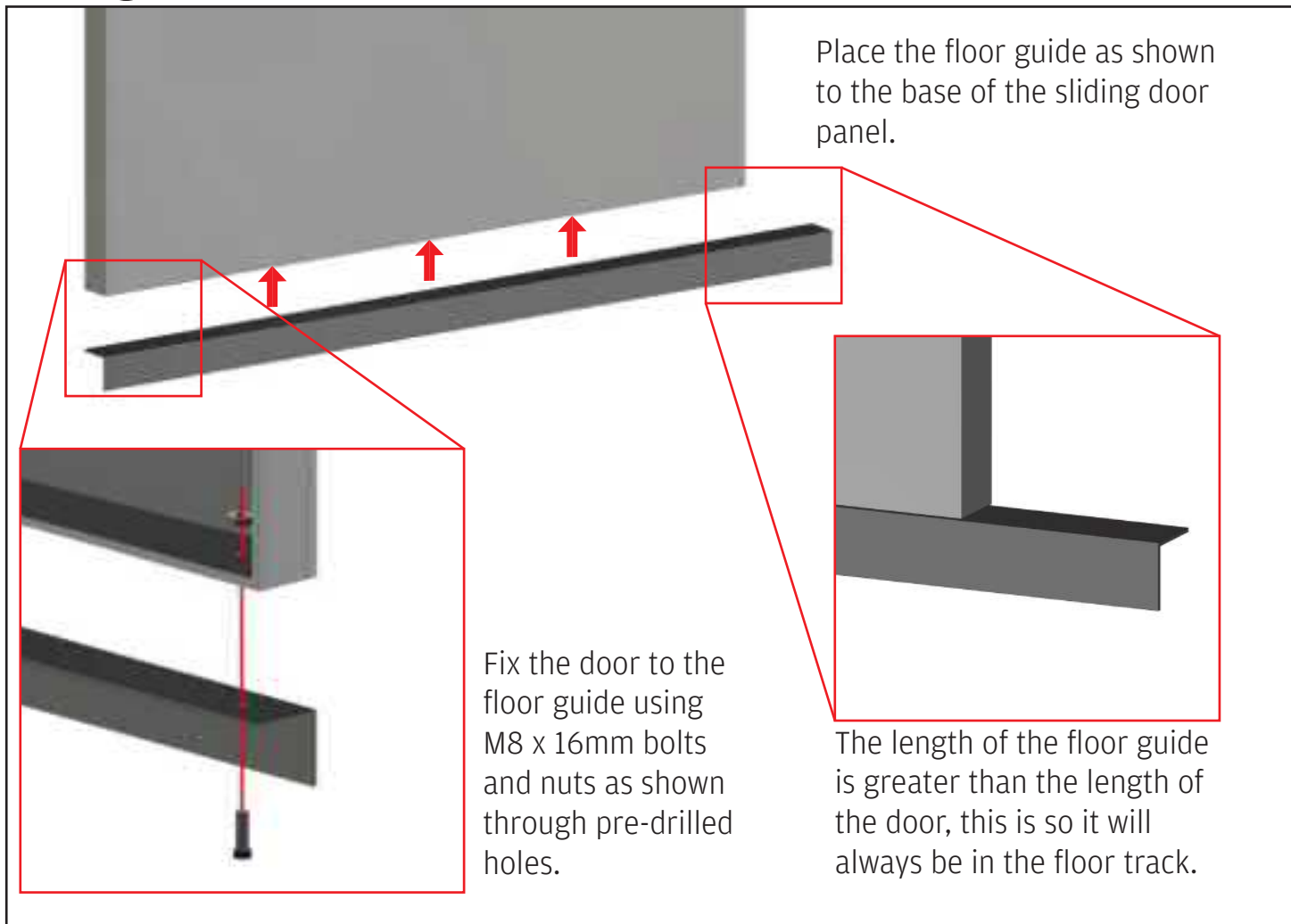
Slide the roller trolley halves into the track at the open end as shown.



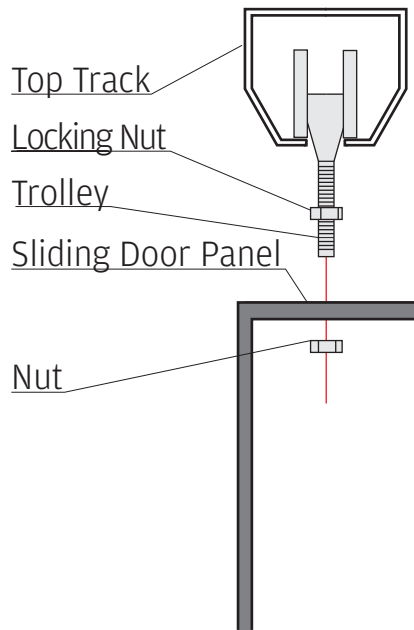
## Fixing Floor Track



## Fixing Floor Guide

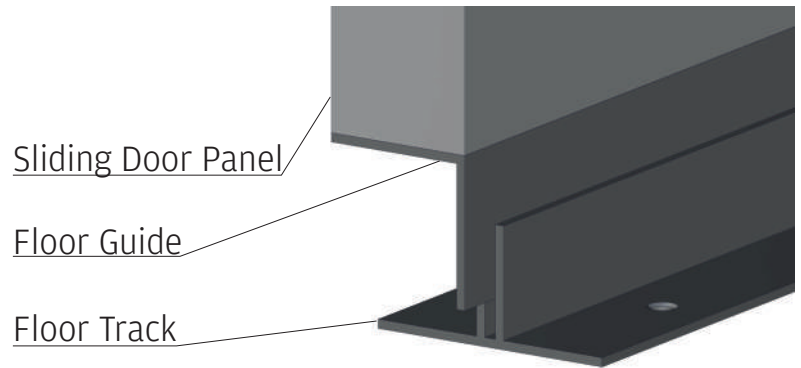


# Attaching the Sliding Door



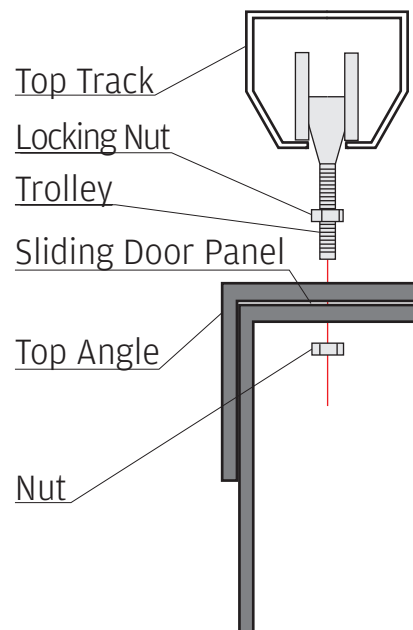
To attach the sliding door bolt the trolley halves that are in the top track through pre-drilled holes in the door. Fix in position using the bolt removed from the trolley.

Ensure that the floor track and guide align as shown.



## Multiple Panel Sliding Door

If the door is constructed of multiple panels then a top angle will have to be used as shown.



# Sliding Door (King 1)

## Installation Instructions



Drill with hammer action



Metal Shears



Hacksaw



Tape Measure



Pliers or Mole Grips



Spirit Level



File



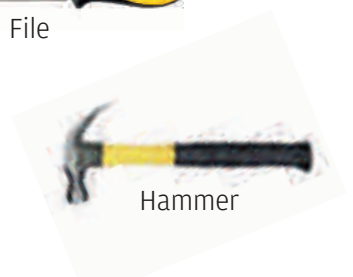
Screwdriver



Adjustable Spanner



Set Square



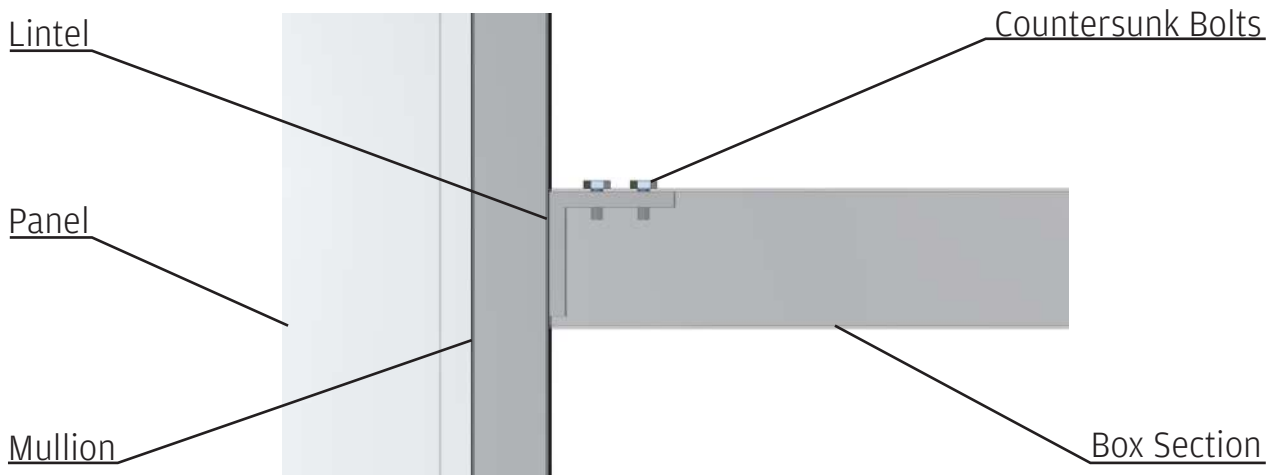
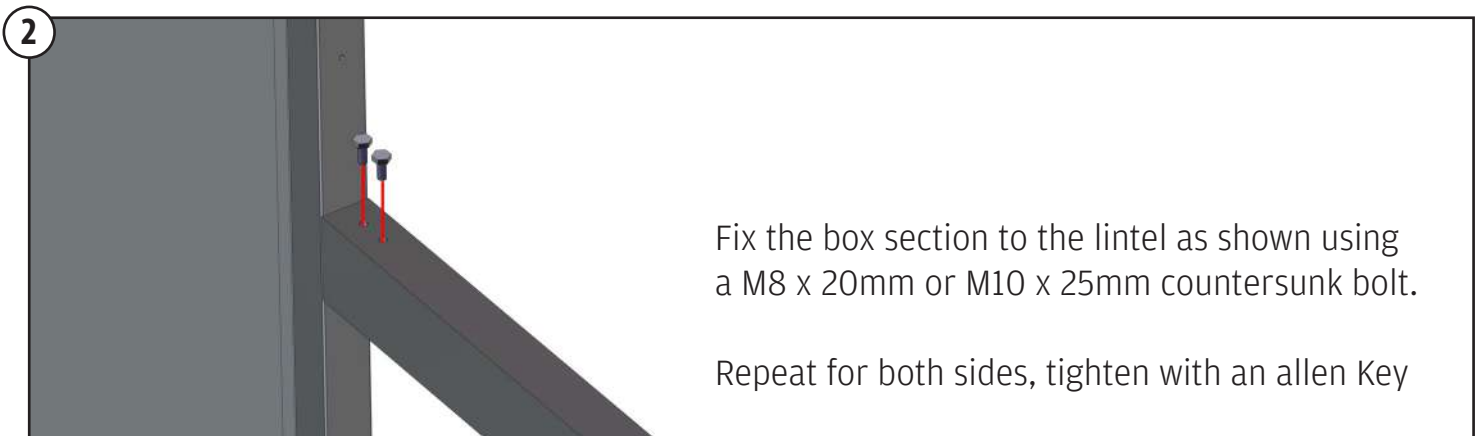
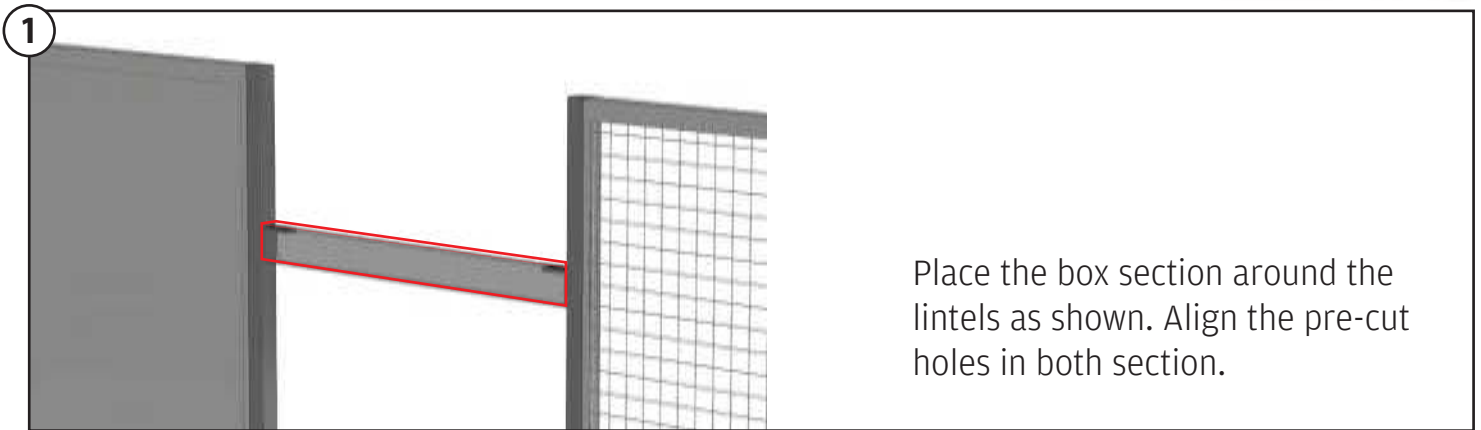
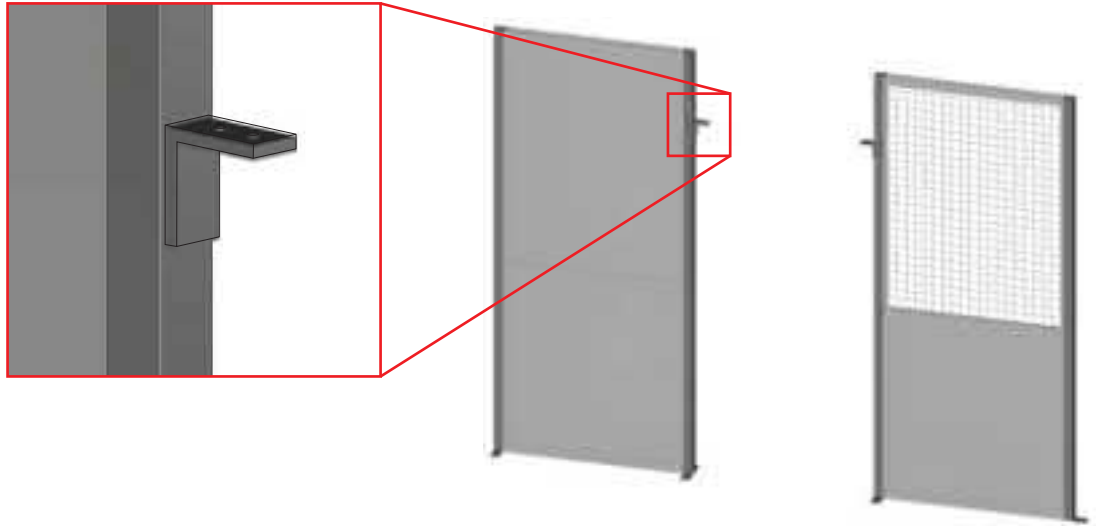
Hammer



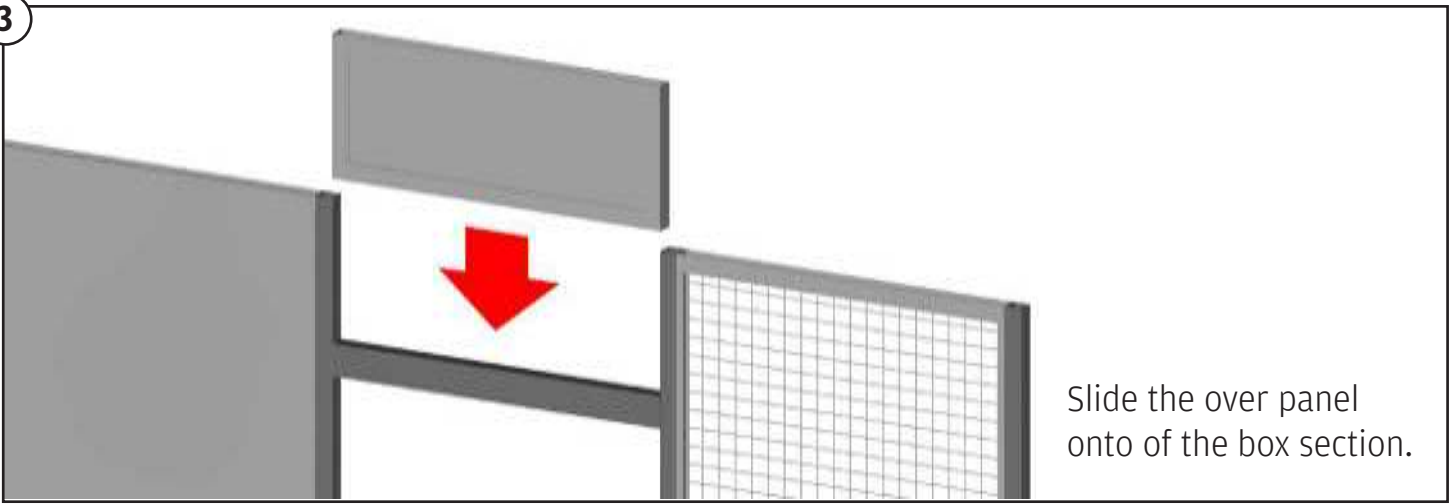
# Installing Over Panel

Once the panels are installed a gap will be left for the door.

There will be two lintel cleats welded onto the mullions situated as shown.



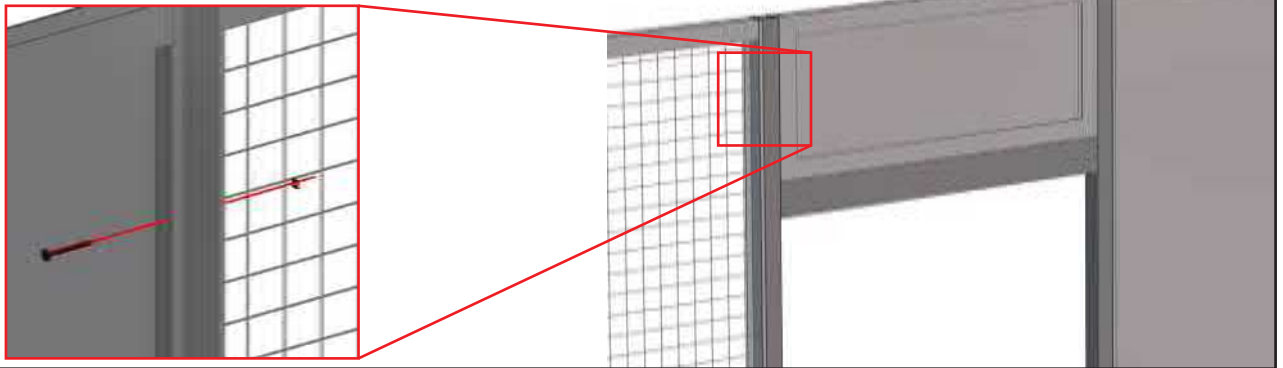
3



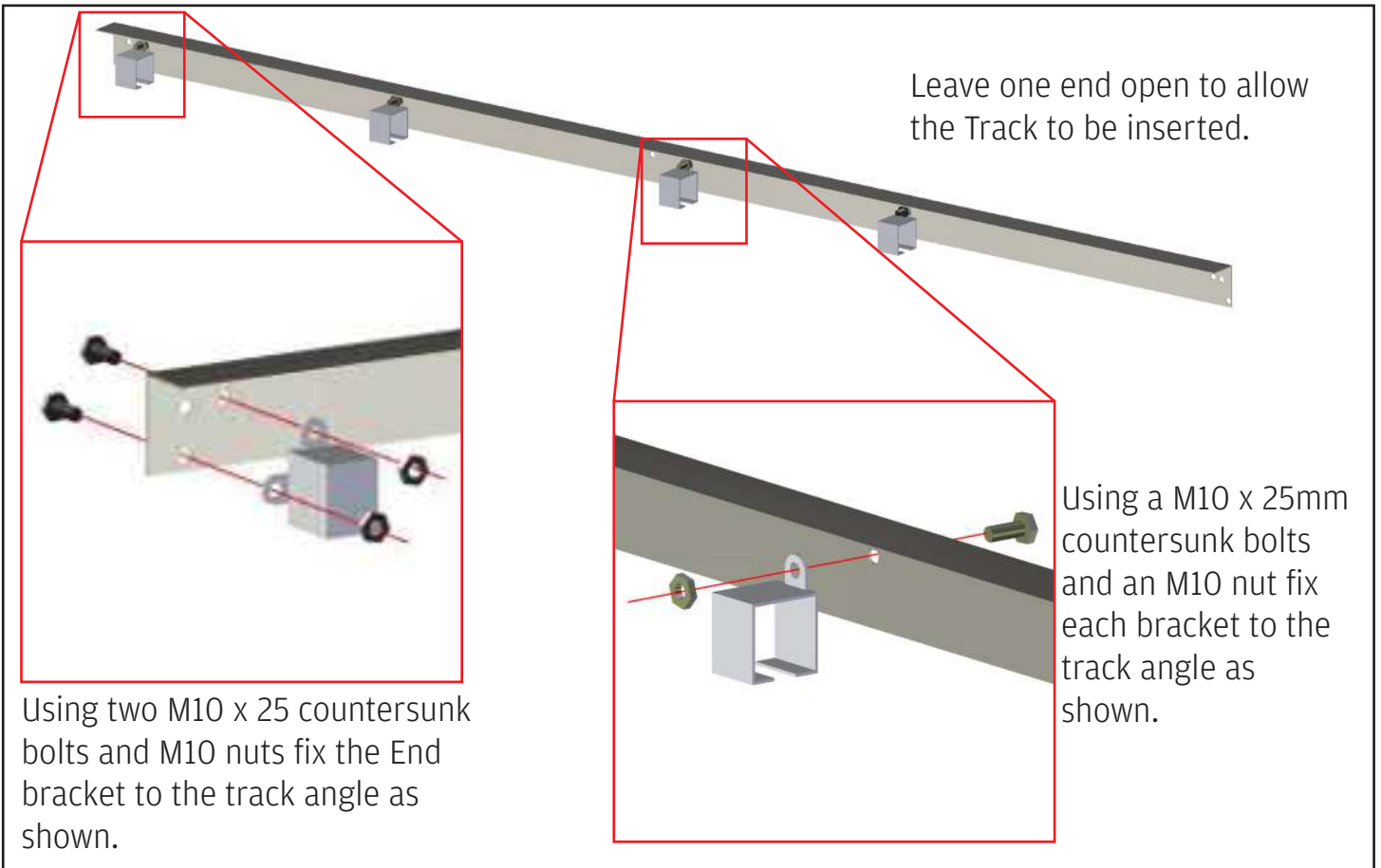
Slide the over panel onto of the box section.

4

Fix panels together using M8 x 60mm bolt and nut through the post and panels to both mullions.



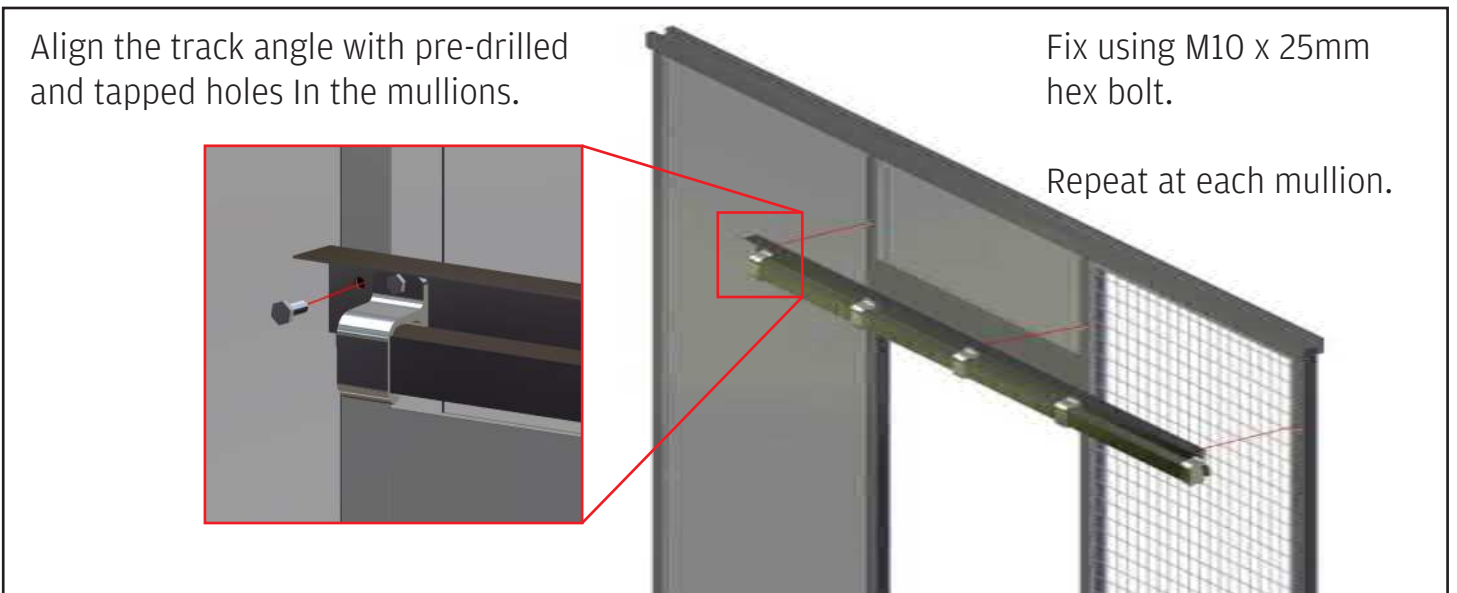
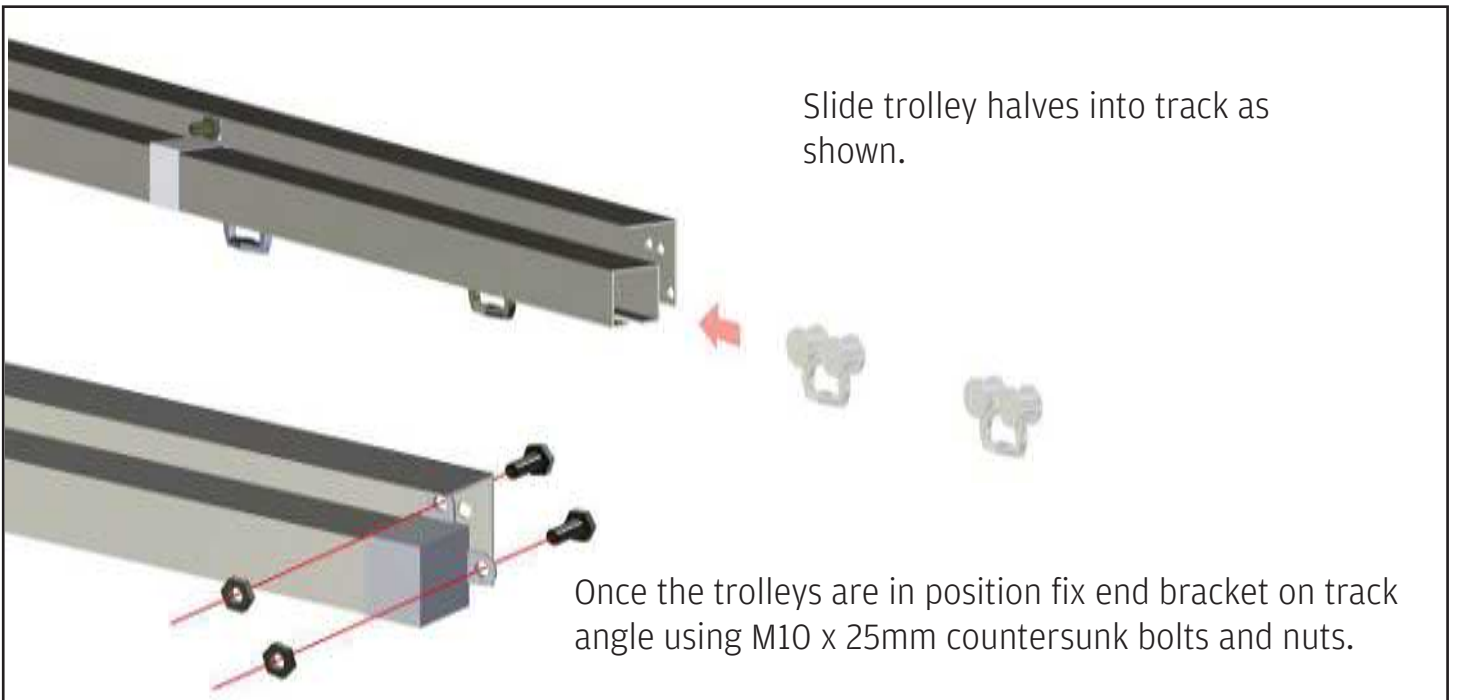
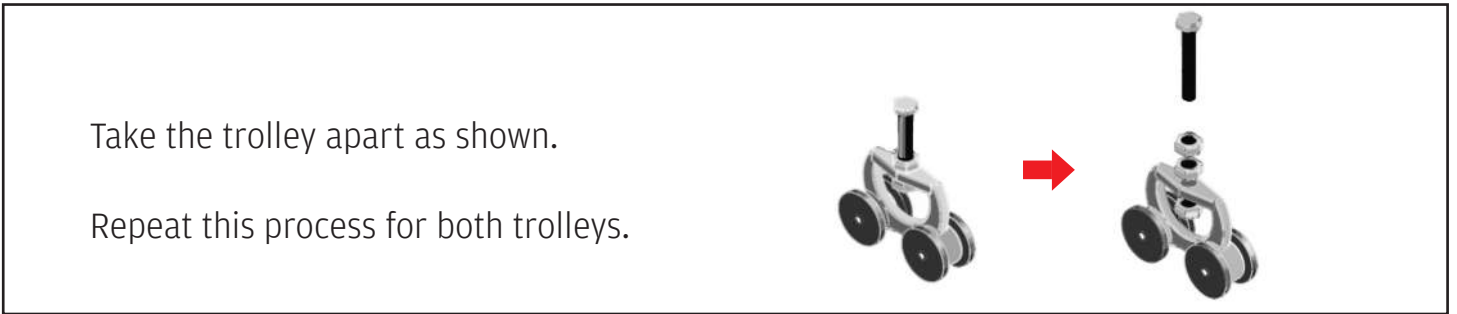
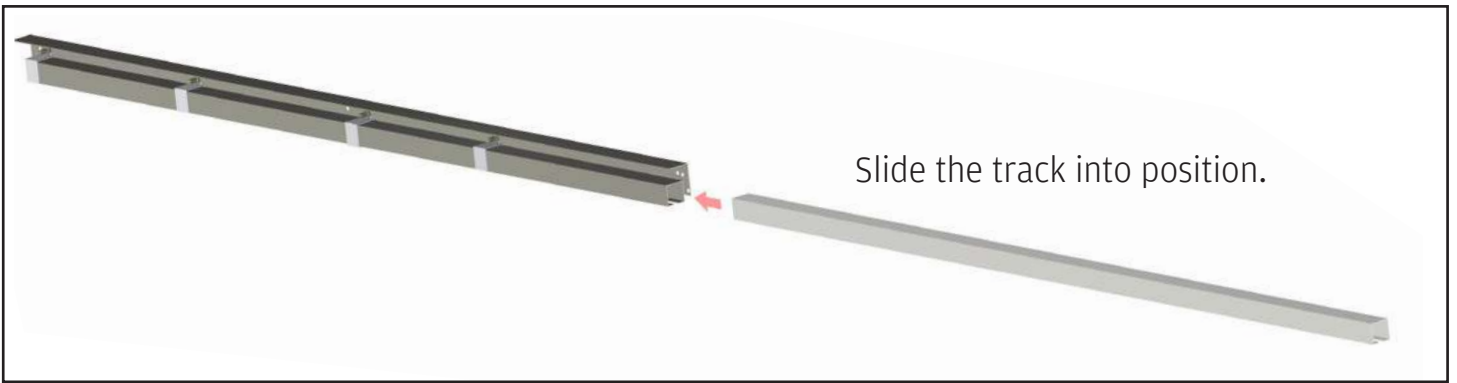
## Installing the Track



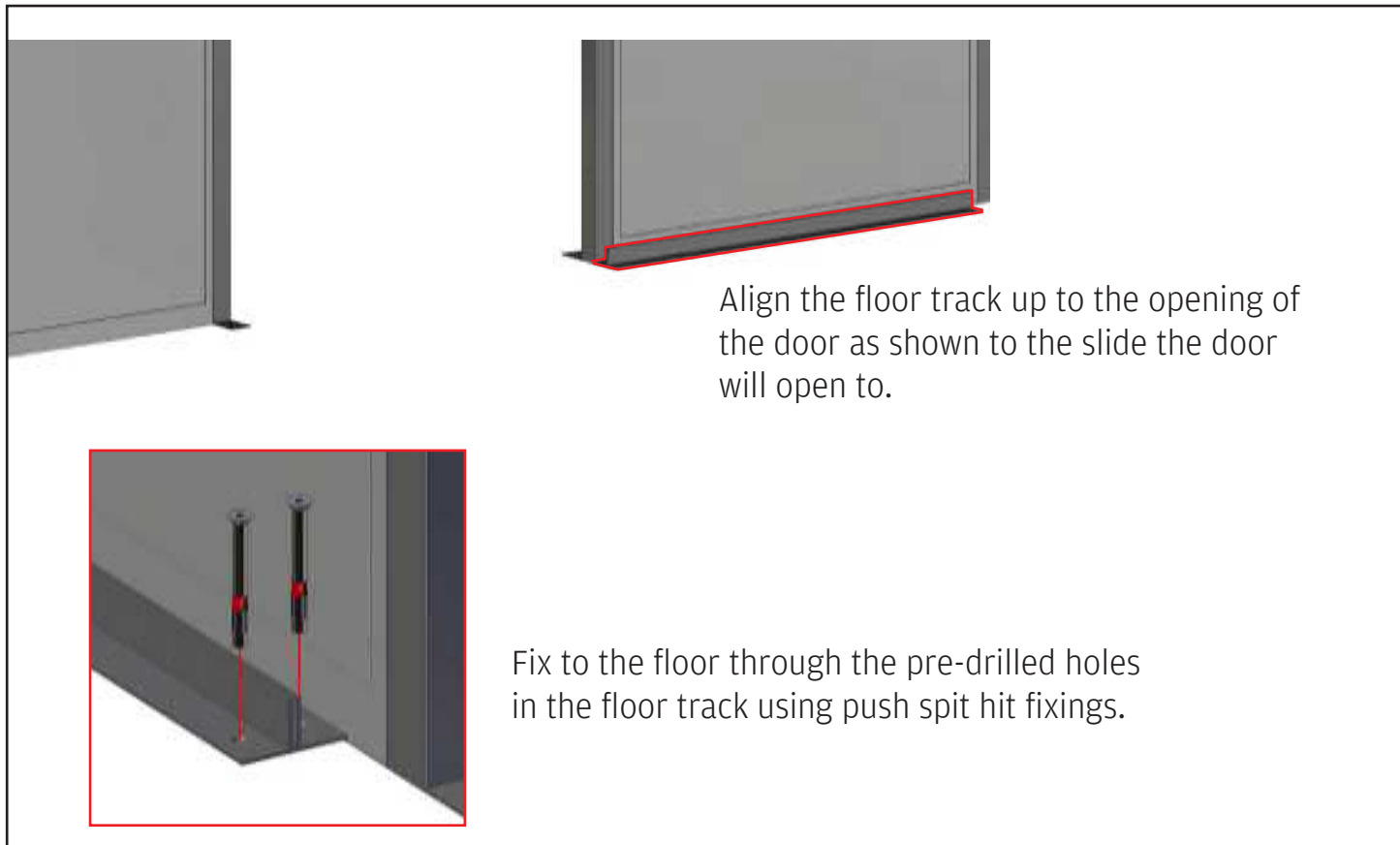
Leave one end open to allow the Track to be inserted.

Using two M10 x 25 countersunk bolts and M10 nuts fix the End bracket to the track angle as shown.

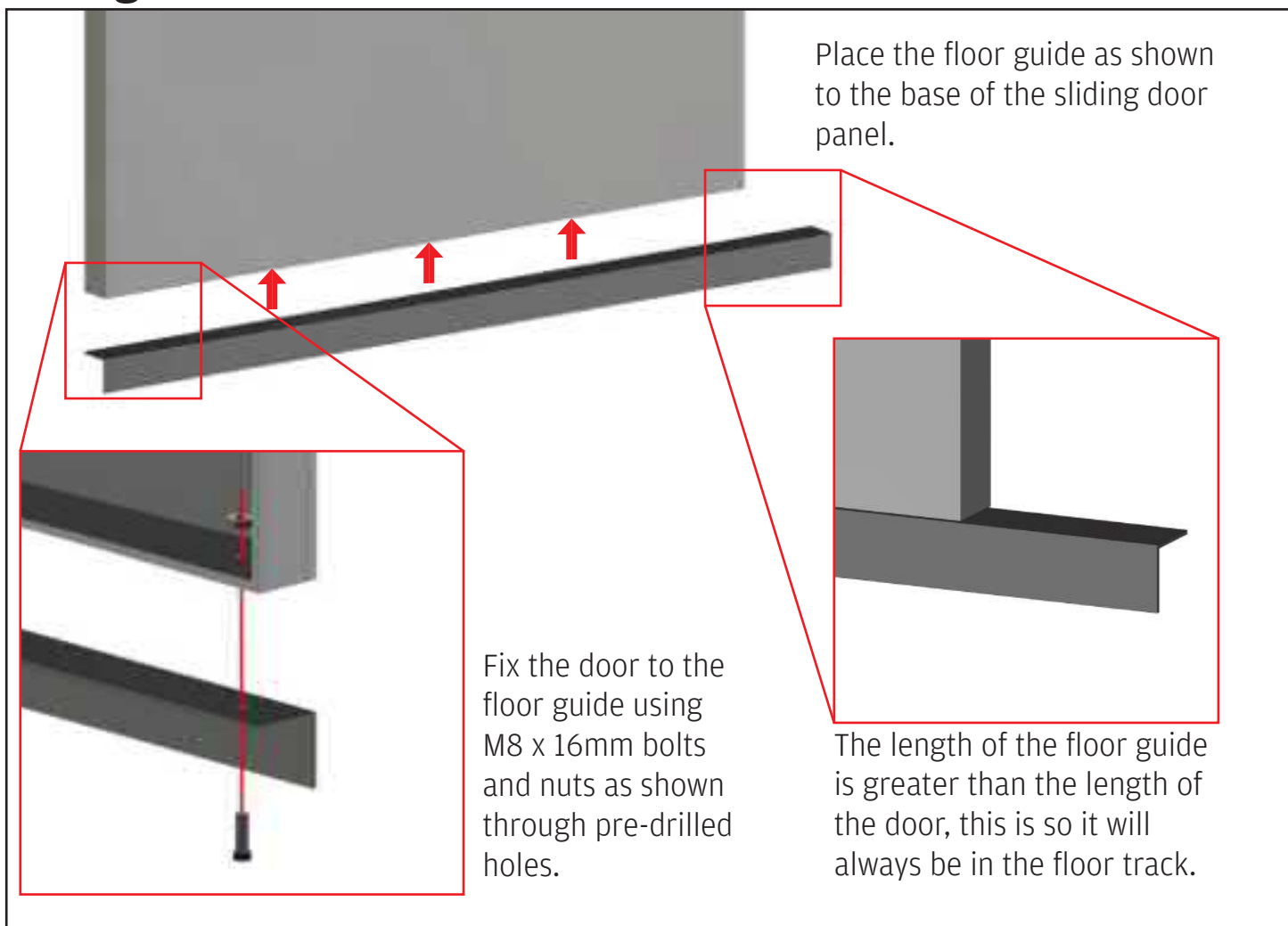
Using a M10 x 25mm countersunk bolts and an M10 nut fix each bracket to the track angle as shown.



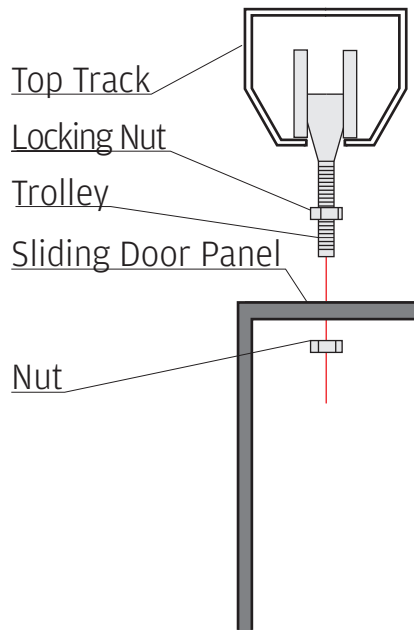
## Fixing Floor Track



## Fixing Floor Guide

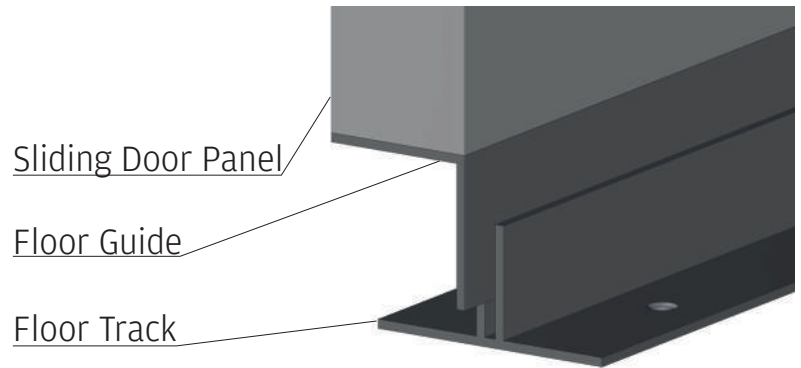


# Attaching the Sliding Door



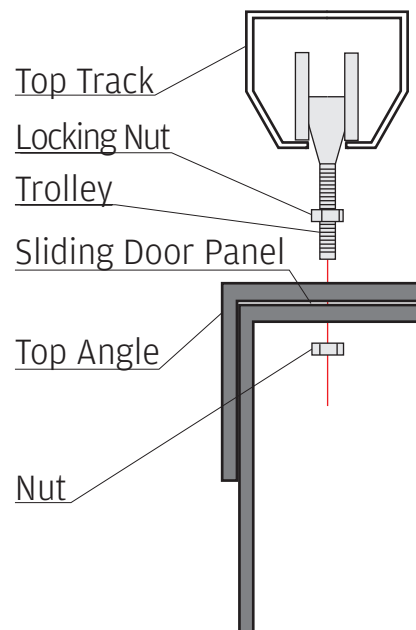
To attach the sliding door bolt the trolley halves that are in the top track through pre-drilled holes in the door. Fix in position using the bolt removed from the trolley.

Ensure that the floor track and guide align as shown.



## Multiple Panel Sliding Door

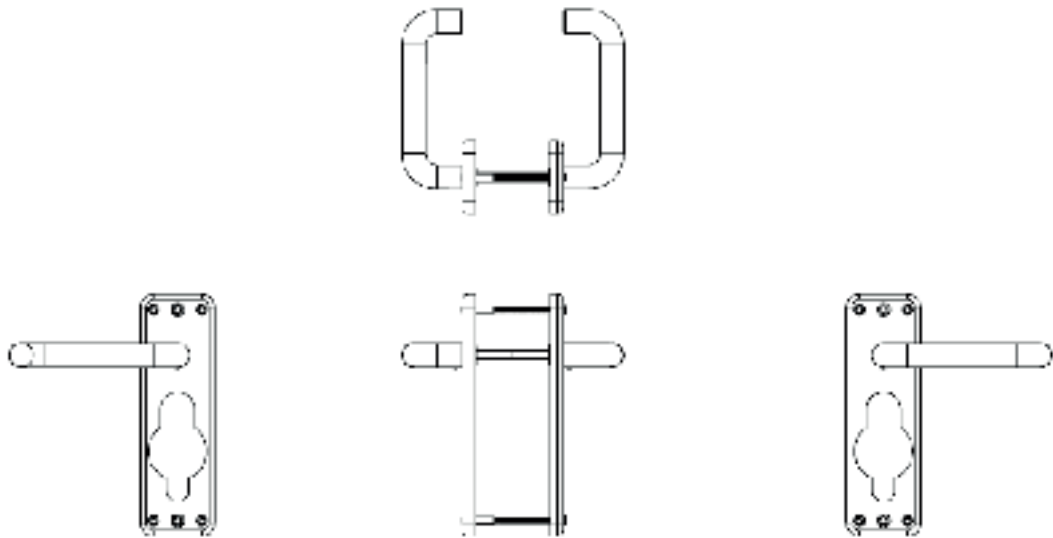
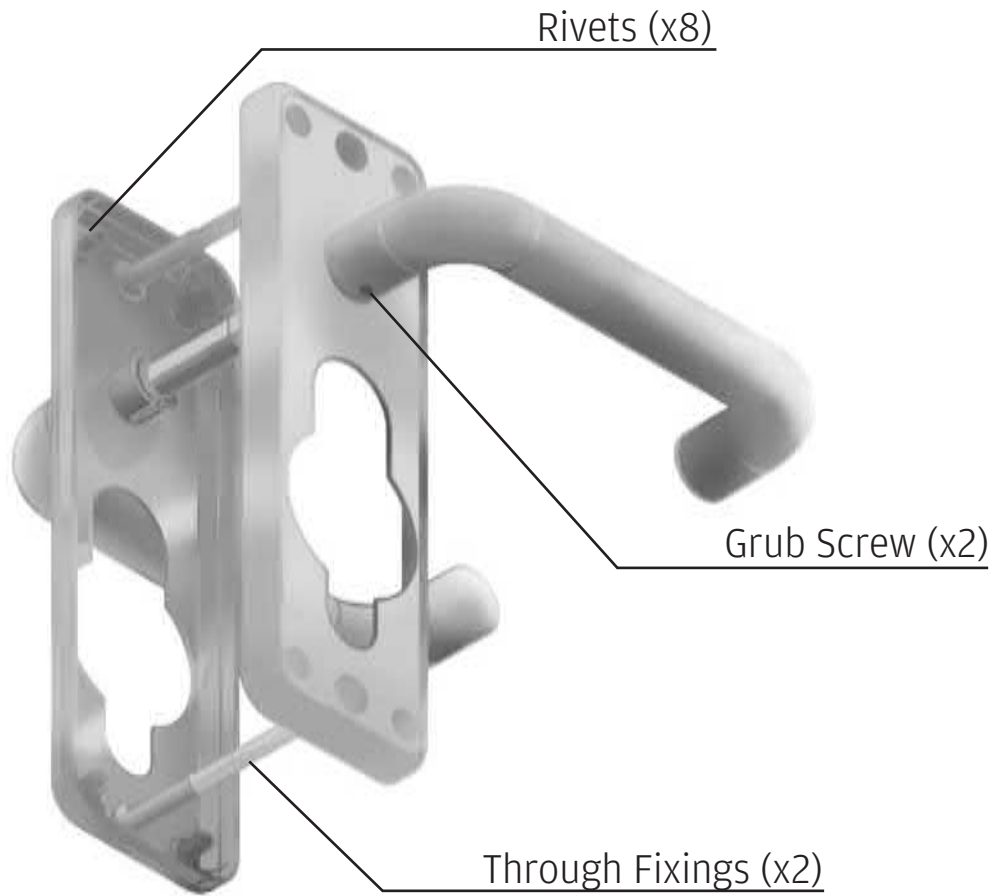
If the door is constructed of multiple panels then a top angle will have to be used as shown.



# SSS Handle

All Fixings must be used when installing the SSS Handle.

2 x Grub Screw  
2 x Through Fixings  
8 x Rivets



# Maintenance Information

---

## **1.0 General Cleaning:**

- 1.1 Daily cleaning is recommend for the removal of dust and dirt.
- 1.2 Do not use abrasive cleaning solutions, abrasive papers or alkaline solutions.
- 1.3 Wipe down only! Must not be washed down.

## **2.0 Laminated & Wooden Doors:**

- 2.1 Wipe down periodically using a damp cloth and mild detergent drying with a clean cloth afterwards.

## **3.0 Sliding Doors:**

- 3.1 Lightly oil trolley hangers every 3 to 5 months.
- 3.2 Check the trolley alignment in the track every 3 to 5 months.

## **4.0 Locks & Hinges:**

- 4.1 Duplicate keys can be ordered from Merlin Industrial Products Ltd.
- 4.2 Lightly oil hinged every 3 to 5 months.

## **5.0 Bolt Fixings:**

- 5.1 Check bolted fixings to ensure they are still tight every 6 to 12 months.

## **6.0 Glazing:**

- 6.1 Clean glass when necessary using a suitable glass cleaner only.
- 6.2 Wipe down only! Must not be washed down.

## **7.0 Polycarbonate**

- 7.1 Cleaning must be carried out manually. Carefully brushed with a very soft brush to remove any particles. Using a lint free cloth, gently wipe (do NOT rub) with lukewarm water mixed with a mild domestic soap (i.e. Washing-Up Liquid). Rinse thoroughly with clean water and wipe dry with a very soft lint free cloth (do NOT rub)

## **8.0 Door Closers:**

- 8.1 To be maintained as per manufacturers recommendations.

## **9.0 Damaged Items:**

- 9.1 Contact Troax Lee Manufacturing Ltd. for a range of replacement parts, doors, panels & glazing.