

LLT23 2300kg CAPACITY HAND PALLET TRUCK

This is a top-quality, full-specification hand pallet truck, supplied in all sizes and wheel variants, used in warehouse, industrial and agricultural environments. Manufactured in high grade steel and to the latest designs to provide year after year of dependable rugged use, the LiftMate LLT23 is a hand pallet truck for the millennium.



Features & Benefits:

- 2300 kg Capacity – 15% more than standard units
- Safety Overload Valve – Detects and protects against misuse
- Full Width Load Rollers – For increased stability and reduced wear
- Fork Lead-in Roller – For easy, efficient pallet entry
- 'Anti-bump' Roller – For Added protection against shock loads
- Rounded Fork Toes – Simplifies and eases pallet entry
- Non-ferrous Hydraulic Components – Helps prevent control valve jams and seizure
- Forged Load-Bearing Components – Arms, roller forks & bogies forged for maximum strength
- Ergonomic Handle – For ease of use and operator safety
- Latest Design Trigger/Button – Gives easier chain adjustment and more efficient operation.
- Powder Coated Finish – For maximum durability of the unit.



Hydraulic Unit

The hydraulic unit is rated at a full 2300kg. This tried and tested component is the heart of the truck and with 200,000 in service across Europe, Africa and Asia; it is proven tough and reliable in daily use in a multitude of environments. It is covered by a 24 month warranty. Every pump is tested to 33% overload and is protected by a factory fitted overload valve.

Wheels and castors

Durable, hardwearing nylon wheels are fitted as standard. The load rollers are full width and the steer wheels are larger diameter to give the best possible control and roll characteristics. The pallet-entry and 'anti-bump' rollers are hard wearing nylon. Steer wheels are mounted into an articulating axle beam to provide constant contact of all wheels with the ground to reduce stress in the chassis and give maximum stability.

Safety and comfort

The control handle and trigger mechanism are ergonomically designed to offer maximum user comfort and protection and attention to details continues all the way down to the chain adjustment and lower piston operating lever. The very latest design is incorporated throughout the unit.

Wheel materials



Nylon is one of the most popular materials used. Its excellent qualities include its resistance to abrasion and low rolling resistance. Nylon wheels should be operated on smooth surfaces.

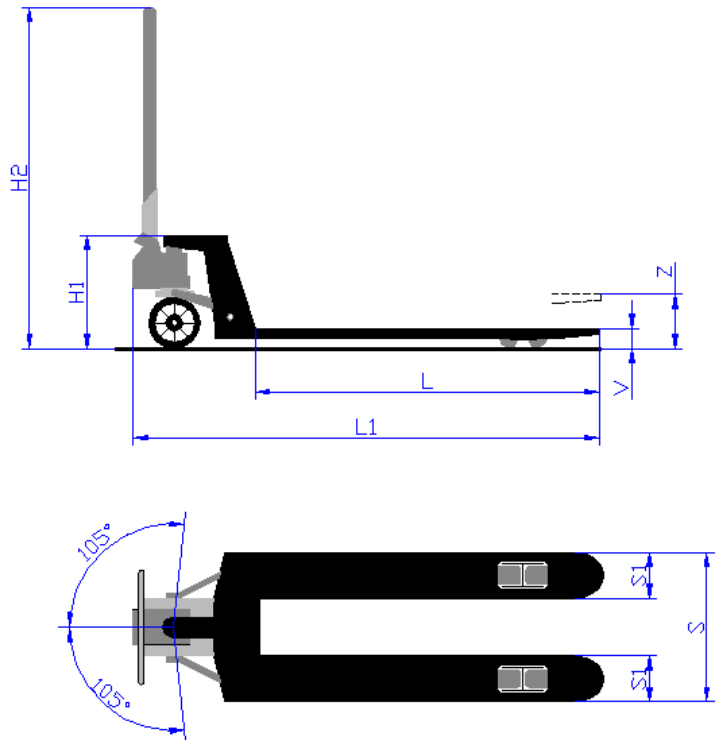
Our *Polyurethane* tyres are mounted on optional alloy or nylon wheels and are typified by extra low rolling resistance and smooth, quiet operation.

Rubber is primarily intended to be used where smooth and quiet operation is required. Rubber Steer wheels are usually used in combination with polyurethane rollers. Rubber rollers can be used as well however it should be noted that rubber wheels nominally increase rolling resistance of a fully loaded unit.

Specials

3t, 4t and 5t capacity, ATEX approved, galvanized pallet trucks, stainless steel pallet trucks, weigh scale pallet trucks, optional brakes, paper reel/drum pallet trucks, low profile pallet trucks, battery powered pallet trucks.

DIMENSIONS AND SPECIFICATION



L (mm)	L ₁ (mm)	V (mm)	Z (mm)	S (mm)	S ₁ (mm)	H ₁ (mm)	H ₂ (mm)
600	985	85	210	standard	160	440	1200
800	1185			450			
900	1285			520			
1000	1385			680			
1150	1535			special widths up to 1500			
1220	1605						
1300	1685						
1400	1785						
1500	1885						
1800+	2185+						

