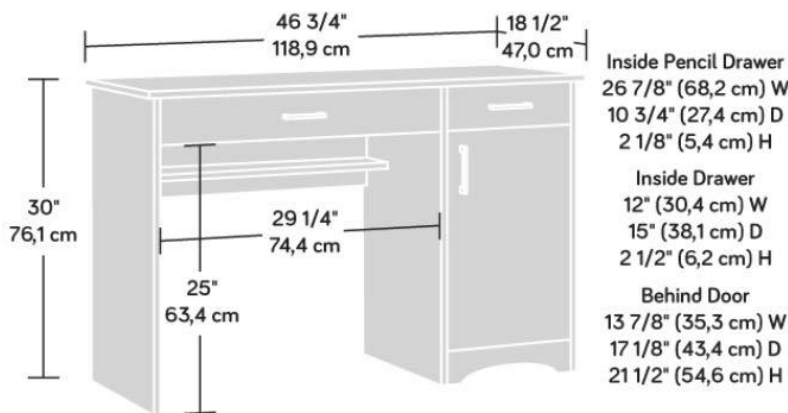


ESSENTIALS COMPUTER DESK

PRODUCT SHEET



- Home office desk in Summer Oak finish
- Large drawer/shelf features flip-down panel for keyboard or mouse
- Small drawer with metal runners and safety stops
 - Storage area behind door holds vertical CPU tower and features an adjustable shelf
 - Cable management system



| | |
|----------------|-----------|
| Width | 118.9 cm |
| Depth | 47 cm |
| Height | 76.1 cm |
| Carton Height | 135.8 cm |
| Carton Width | 52.6 cm |
| Carton Depth | 14.2 cm |
| Box Volume | 0.101 cbm |
| Weight (gross) | 34.7 kg |