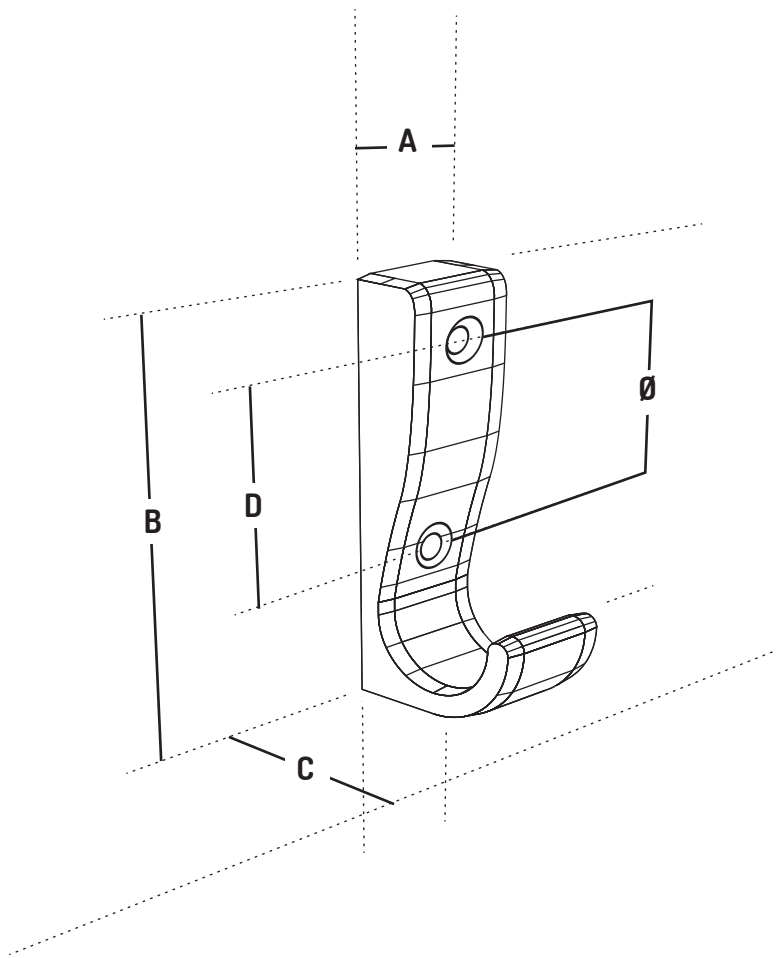




Technical Data

The One Hook

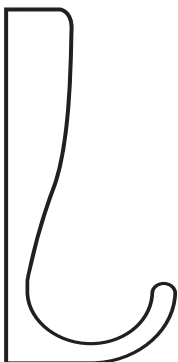
Size: Small



DATA SHEET

A	18 mm
B	55 mm
C	32 mm
D	22 mm
Ø	3.5 mm
		(Countersink 6 mm)

1



2



3



1	Side
2	Front
3	Back