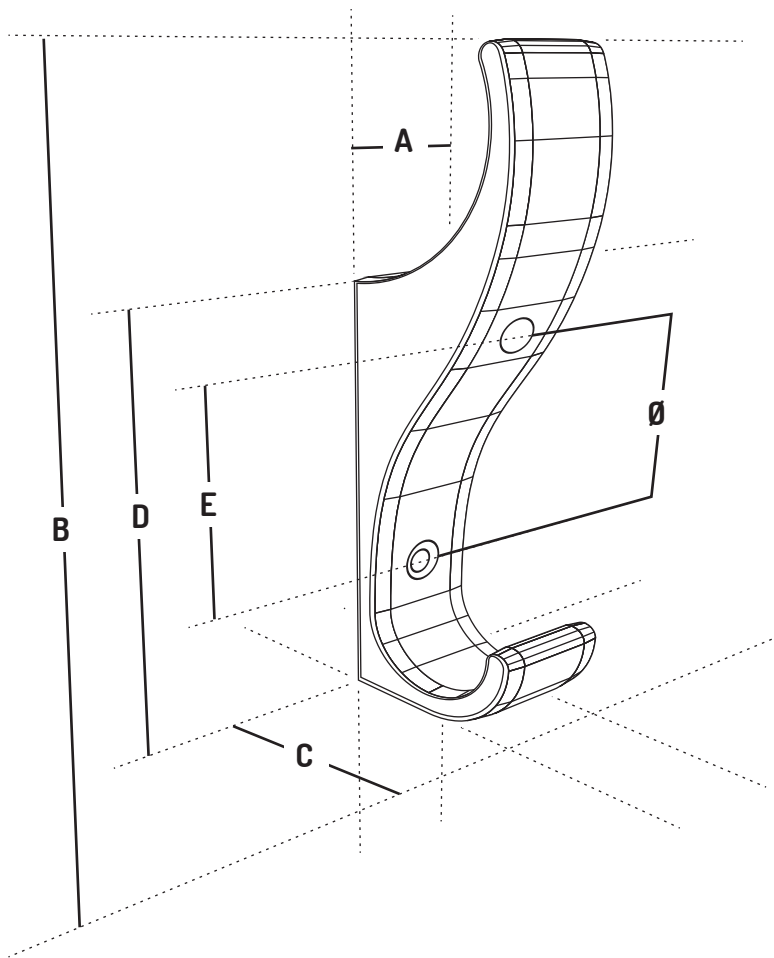




Technical Data

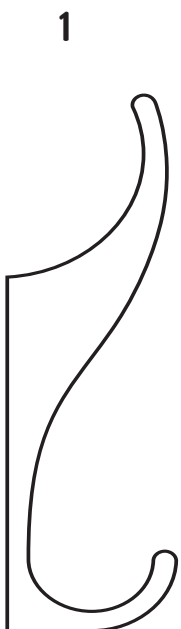
The Mini Hook

Size: Medium



DATA SHEET

A	18 mm
B	95 mm
C	32 mm
D	55 mm
E	22 mm
Ø	3.5 mm (Countersink 6 mm)



1	Side
2	Front
3	Back