

# Basic trolley



Basic trolley 1



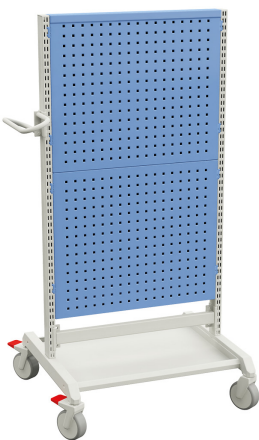
Basic trolley 2



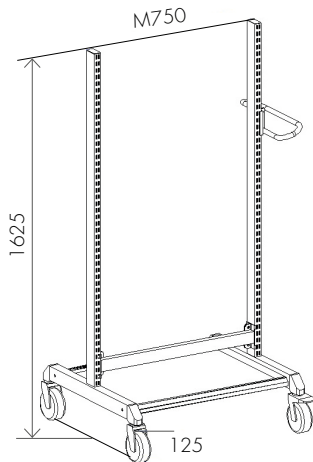
Basic trolley 3



Basic trolley 4



Basic trolley 5



Basic trolley frame

Equip your trolleys with shelves, tops and other accessories to fit any application, such as transportation or tool storage.

All trolleys are equipped with four swivel castors ( $\varnothing$  125 mm), two of which have brakes. The basic trolley can be combined with all the M750 accessories.

## Basic trolleys

Name	Size W x D x H mm	Max load kg	Code
Basic trolley 1*	780 x 715 x 1630	300	BT-170B
Basic trolley 2	800 x 715 x 1625	350	C 740 07 102
Basic trolley 3	800 x 715 x 1625	350	C 740 41 003
Basic trolley 4	800 x 715 x 1625	350	C 740 07 004
Basic trolley 5	800 x 715 x 1625	350	C 740 41 105
Basic trolley frame**	800 x 715 x 1625	350	859 859-41

\* Up to 112 stacking bins can be attached to one trolley, must be ordered separately.

\*\* Basic trolley frame includes bottom shelf and rubber mat.

## Basic trolley accessories

Name	Size W x D x H mm	Max load kg	Code
Bottom shelf with rubber mat	720 x 560 x 32	150	852 719-41
Bottom shelf with HDPE plastic covering	720 x 560 x 32	150	852 683-41
Shelf with rubber mat*	720 x 560 x 32	150	852 720-41
Shelf with HDPE plastic covering*	720 x 560 x 32	150	852 684-41
Steel shelf*	720 x 560 x 32	150	852 685-49
Steel shelf	720 x 560 x 32	150	852 665-49
Extendable shelf*	720 x 580 x 33	50	852 687-49
Wash basket L-300	380 x 302 x 110	20	839 116-51
Waste basket			839 159-00
Waste basket holder			835 773-49
Paper roll holder	Roll dimensions max: width 240 mm, $\varnothing$ 230 mm)		860 310-49
Flow-through shelf*	718 x 835 x 61	150	890 710-49

Trolleys can be combined with all the M750 accessories. For perforated panels, see p. 88, for R-hooks, see p. 90.

\* including brackets