



# Bottom Dropping Box (BDB)

Merlin Base Emptying Stillages are a range of fork truck carried containers that offer a highly effective means of keeping work and storage areas clutter free and allowing safe transport and disposal of waste. The stillage unloads through the base for maximum efficiency.

Our best selling base emptying stillages offer a safe and efficient way of keeping your workplace free of unwanted debris/clutter.

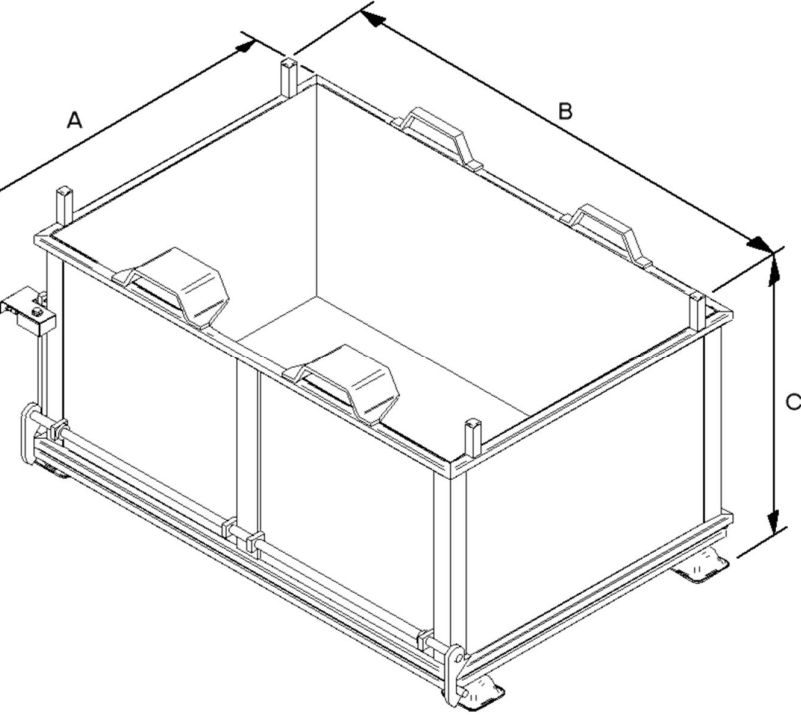
Simply raise the carriage of the truck to suit the fork sleeves located on the top of the box. Then simply drive forwards until the box is sufficiently sleeved. Then simply secure via Retaining Chain and operation can begin.

To release the box simply release the handle by means of pull chord.

BDB 5 -- Max Fork Size 125 x 65mm

BDB 10 – Max Fork Size 150 x 65mm

BDB 15 – Max Fork Size 150 x 65mm



Model Ref.	Weight	C of G	Volume	Capacity	"A" (Overall Length)	"B" (Overall Width)	"C" (Overall Height)	Internal Length	Internal Width	Internal Height	Max Fork Spread
BDB 50	115kgs	501mm	0.5m3	1000kgs	949mm	1203mm	768mm	840mm	1000mm	600mm	740mm
BSB 100	187kgs	602mm	1.0m3	1250kgs	1105mm	1696mm	868mm	1000mm	1500mm	700mm	787mm
BDB 150	231kgs	602mm	1.5m3	1500kgs	1105mm	2003mm	1003mm	1000mm	1800mm	835mm	787mm