

Merlin

Industrial Products Ltd

Vat GB591551821 Company Number 02906480 - 1994
Dun and Bradstreet Number (581590544)
NATO Code Number (NCAGE KD520)
EORI Number GB591551821000
UTR 6353208046

Call 01752 690 622 during UK Office hours
Email sales@mipl.uk

Treston Trolleys



Available from Merlin Industrial Products - 01752 690622 - sales@mipl.uk



The castors are equipped with brakes to ensure your safety on uneven surfaces.

Freedom of mobility with trolleys

Increased productivity with mobility

Work is not always confined to a single workstation and tools must be moved around accordingly. Lightweight trolleys are ideal for this situation, significantly increasing productivity by up to 30%.

Each task is different and requires dedicated tools. Due to their modularity and versatile accessory components, trolleys are easy to customise and adapt to suit a multitude of users and applications.





Heavy-duty trolley

Heavy-duty trolleys, as their name indicates, are ideal for moving heavy loads. Their special castors support extremely heavy weights.



Fitter's trolley

A fitter's trolley lets you take your supplies and tools wherever you go, while keeping them organised. The rubber mat helps keep tools in place while you are working.



Service trolley

The service trolley frame is equipped with a safety locking feature that allows only one drawer to be opened at a time.



Basic trolley

Equip your trolleys with shelves, tops and other accessories to fit any application, such as transportation or tool storage.



Storage trolley

An easy solution for mobile storage, the storage trolley has an adjustable middle shelf, and the shelves are fitted with standard rubber mats.

Heavy-duty trolley



Heavy-duty trolleys, as their name indicates, are ideal for moving heavy loads. Their special castors support extremely heavy weights. The total capacity of the basic model is up to 600 kg!

The heavy-duty trolleys are equipped with two fixed castors (Ø 160 mm) and two swivel castors with brakes.

Heavy-duty trolley 3,
code C 750 07 103

Size 1000 x 810 x 1640 mm
Top 1000 x 750 mm
Worktop height 960 mm

For extremely heavy loads!
The total capacity of the basic heavy-duty trolley is up to 600 kg.



Heavy-duty trolley 1, code C 750 41 001



Heavy-duty trolley 2, code C 750 41 002



Heavy-duty trolley 4, code C 750 41 004
The cone bracket holder can hold up to 48 ISO cone brackets (cone bracket page 65).

Heavy-duty trolleys

Name	Size W x D x H mm	Max load kg	Code
Heavy-duty trolley 1	935 x 785 x 940	600	C 750 41 001
Heavy-duty trolley 2	935 x 785 x 940	600	C 750 41 002
Heavy-duty trolley 4	935 x 785 x 940	600	C 750 41 004

Heavy-duty trolley accessories

Name	Size W x D x H mm	Max load kg	Code
Shelf	812 x 770 x 30	400	852 671-49
Cone bracket holder, ISO	812 x 770 x 52	500	852 673-49

Heavy-duty trolley 3, code C 750 07 103

Qty	Name	Size mm	Code
1	Bottom shelf	933 x 780	852 666-49
1	Perforated uprights, pair	661	852 668-49
1	Perforated uprights, pair	1359	852 667-49
1	Cross support, pair		852 669-49
1	Handle		852 670-49
1	Pvc-top, steel edges	1000 x 750	836 723-79
1	Corner hooks		848 336-49
1	Horizontal tube M900	873	840 104-49
2	Fixed castors		900 040-00
2	Swivel castors		900 041-00
1	Perforated panel	870 x 389	861 516-49
1	Suspension rail M900	895	859 152-49
6	Plastic box 1525-5		806 208-00
1	Fixing set		870 811-00
1	Drawer unit 55/37	550 x 715 x 370	611 07 001

Fitter's trolley

A fitter's trolley lets you take your supplies & tools wherever you go, while keeping them organised. The rubber mat helps keep tools in place while you are working. Version with drawer unit comes equipped with a safety lock that prevents other drawers from opening while one drawer is open. This helps to keep the trolley in balance - even with heavy loads.

The fitter's trolleys are equipped with four swivel castors (Ø 100 mm), two of which have brakes. Fitter's trolley can be combined with all M750 accessories.

Fitter's trolleys

Name	Module	Size W x D x H mm	Max load kg	Code
Fitter's trolley 1	M750	800 x 715 x 855	300	C 730 41 001
Fitter's trolley 2	M750	800 x 715 x 855	300	C 730 41 002
Fitter's trolley 3	M750	800 x 715 x 855	300	C 730 41 003
Fitter's trolley, frame	M750	800 x 715 x 855	300	C 730 41 000
Fitter's trolley 4		795 x 715 x 915	300	C 730 07 004

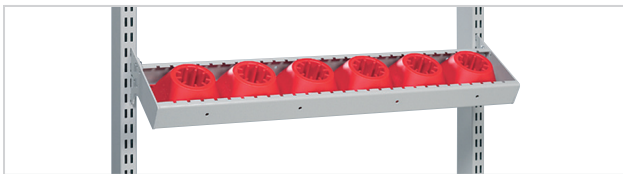
Fitter's trolley accessories

Name	Size W x D x H mm	Max load kg	Code
Bottom shelf with rubber mat	720 x 560 x 32	150	852 719-41
Bottom shelf with HDPE plastic covering	720 x 560 x 32	150	852 683-41
Shelf with rubber mat	720 x 560 x 32	150	852 720-41
Shelf with HDPE plastic covering	720 x 560 x 32	150	852 684-41
Extendable shelf + brackets	720 x 580 x 33	50	852 687-49

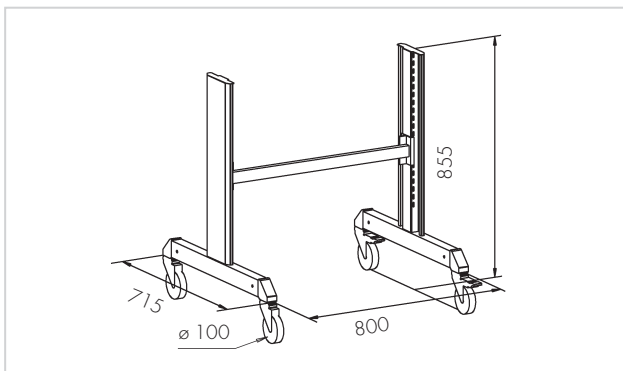
Fitter's trolleys can be combined with all M750 accessories.

Cone rack with hooks for tool holders HSK, Capto, ISO

Name	Size W x D x H mm	Max load kg	Code
Cone rack with hooks	742 x 188 x 90	50	854 430-49



Cone rack with hooks



Fitter's trolley 1



Fitter's trolley 2



Fitter's trolley 3

Fitter's trolley 3 includes 6 cone racks. Tool brackets, [page 69](#), ordered separately.



Fitter's trolley 4

Service trolley



Customise your service trolley with a selection of hooks from p. 90-93.

Service trolley
Size 710 x 480 x 875 mm
Max load 300 kg

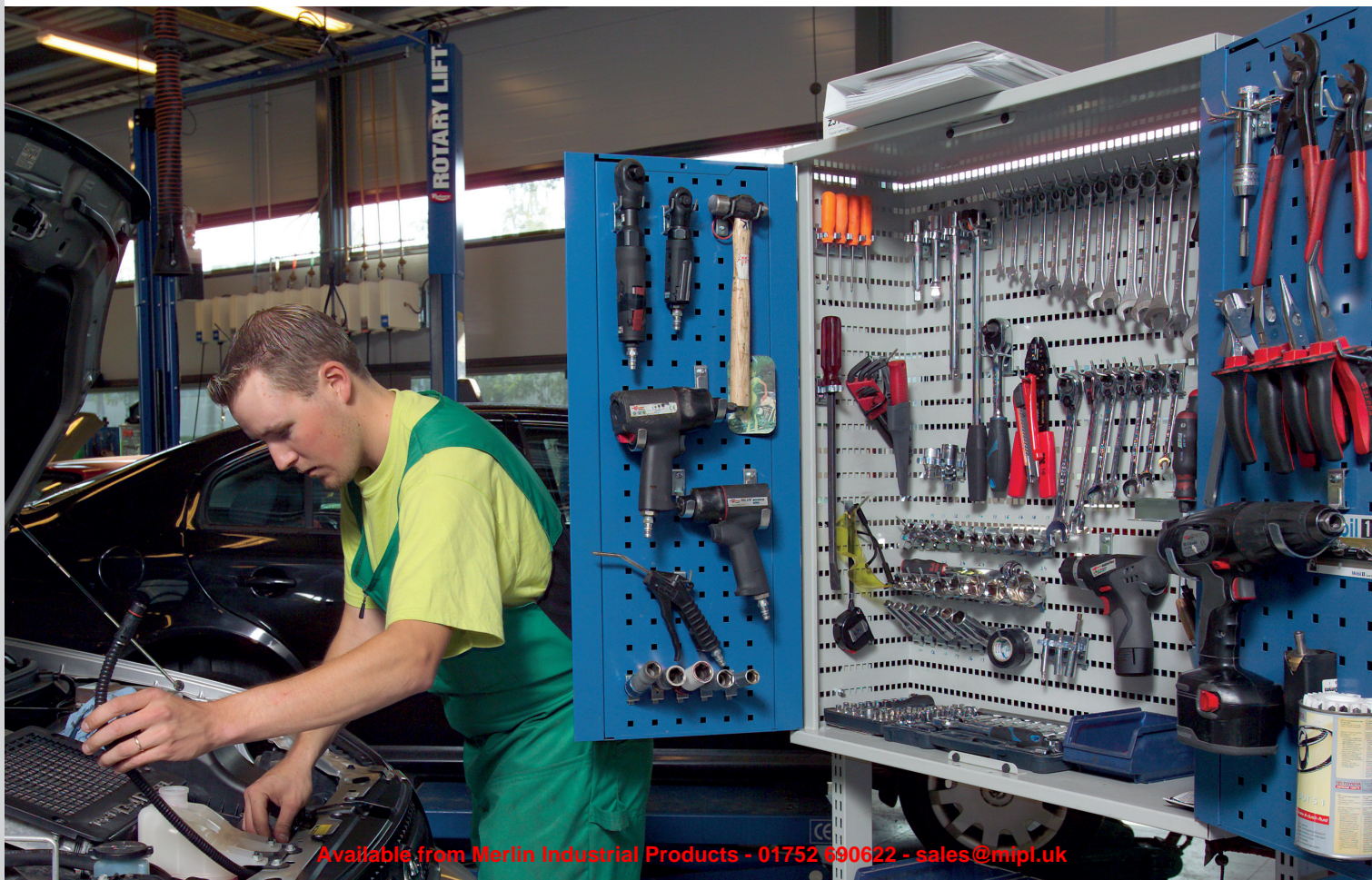
The service trolley frame is equipped with a safety locking feature that allows only one drawer to be opened at a time. The cover comes as standard with a separate rubber mat that prevents items from slipping.

Both sides of the trolley have standard, perforated panels that you can accessorise with brackets and mountings, to suit any application. Service trolleys are also equipped with two fixed castors (Ø 150 mm) and two swivel castors including brakes (Ø 100 mm).

Service trolleys

Model	Service trolley 1	Service trolley 2	Service trolley 3	Service trolley 4	Service trolley 5	Service trolley 6	Service trolley 7	Service trolley 8
Code	710 07 001	710 07 002	710 07 003	710 07 004	710 07 005	710 07 006	710 07 007	710 07 008
Height (mm) of the drawer	3 x 75 	2 x 75 	1 x 75 	5 x 75 	2 x 75 	1 x 100 	1 x 100 	1 x 100
	1 x 125 	2 x 100 	4 x 100 	1 x 100 	2 x 100 	2 x 250 	2 x 125 	4 x 125
	1 x 250 	2 x 125 	1 x 125 	1 x 125 	1 x 250 		1 x 250 	

Internal drawer dimensions: 600 x 345 x 63/88/113/238 mm.



Accessorised service trolley

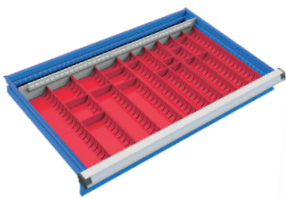
By attaching the upright tube pair 30 x 30 mm (code 854 038-49), you can use all the M500 accessories.

Accessories for service trolley (in the picture)

Qty	Name	Size mm	Code
1	Perforated upright pair	30 x 30 x 1219	854 038-49
1	Perforated tool cabinet	470 x 200 x 600	854 039-07
1	Suspension rail	M500	860 953-49
5	Plastic container		30-1L-6
1	Vice support		854 037-06
1	Pick-up box holder	165 x 48 x 456	854 042-49
4	Pick-up box	149 x 85 x 48	851 843-00
1	Utility box	155 x 90 x 410	854 041-49
1	Paper roll dispenser		854 043-49
1	Waste bucket holder		854 044-49
1	Waste bucket		839 159-00
1	Folder compartment	466 x 90 x 240	854 040-49

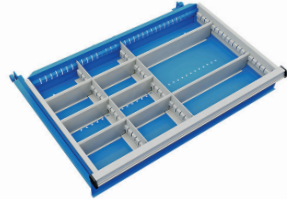


Drawer interiors for service trolley



Tool troughs 45 and 70 mm

Drawer 71/75 854 066-00



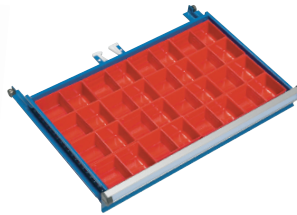
Middle dividers and plates 2

3 x middle divider, 6 x middle plate 150 and 2 x middle plate 300*

Drawer 71/75 854 069-49

Drawer 71/100 854 070-49

Drawer 71/125 854 070-49



Pick up boxes

Drawer 71/75 854 064-00



Rubber mat for the drawer bottom

Rubber mat 71 854 078-00

* One example of interior solutions shown in picture.

Basic trolley



Basic trolley 1



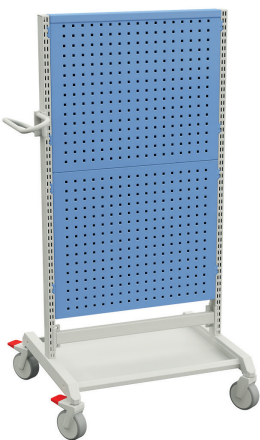
Basic trolley 2



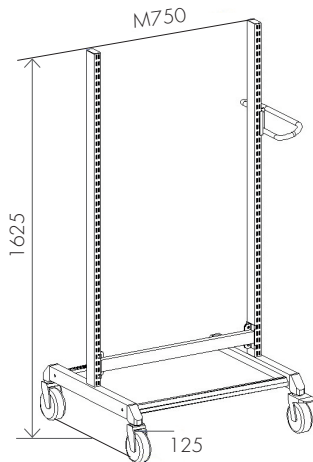
Basic trolley 3



Basic trolley 4



Basic trolley 5



Basic trolley frame

Equip your trolleys with shelves, tops and other accessories to fit any application, such as transportation or tool storage.

All trolleys are equipped with four swivel castors (\varnothing 125 mm), two of which have brakes. The basic trolley can be combined with all the M750 accessories.

Basic trolleys

Name	Size W x D x H mm	Max load kg	Code
Basic trolley 1	800 x 715 x 1625	350	C 740 41 101
Basic trolley 2	800 x 715 x 1625	350	C 740 07 102
Basic trolley 3	800 x 715 x 1625	350	C 740 41 003
Basic trolley 4	800 x 715 x 1625	350	C 740 07 004
Basic trolley 5	800 x 715 x 1625	350	C 740 41 105
Basic trolley frame*	800 x 715 x 1625	350	859 859-41

*Basic trolley frame includes bottom shelf and rubber mat.

Basic trolley accessories

Name	Size W x D x H mm	Max load kg	Code
Bottom shelf with rubber mat	720 x 560 x 32	150	852 719-41
Bottom shelf with HDPE plastic covering	720 x 560 x 32	150	852 683-41
Shelf with rubber mat*	720 x 560 x 32	150	852 720-41
Shelf with HDPE plastic covering*	720 x 560 x 32	150	852 684-41
Steel shelf*	720 x 560 x 32	150	852 685-49
Steel shelf	720 x 560 x 32	150	852 665-49
Extendable shelf*	720 x 580 x 33	50	852 687-49
Wash basket L-300	380 x 302 x 110	20	839 116-51
Waste basket			839 159-00
Waste basket holder			835 773-49
Paper roll holder	Roll dimensions max: width 240 mm, \varnothing 230 mm)		860 310-49

Trolleys can be combined with all the M750 accessories. For perforated panels, see p. 88, for R-hooks, see p. 90.

*including brackets



Storage trolley

An easy solution for mobile storage, the storage trolley has an adjustable middle shelf and the shelves are fitted with standard rubber mats.

The trolley is equipped with four swivel castors (\varnothing 100 mm), two of which have brakes.

Storage trolley

Name	Size W x D x H mm	Max load kg	Code	Code ESD
Storage trolley	650 x 450 x 775	3 x 30	852 773-41	852 773-49

